

DWL-3200AP

Release 2.40

Managed Wireless AP

Install Guide

Business Class Networking

System Requirements

Minimum System Requirements:

- CD-ROM Drive
- Computers with Windows®, Macintosh®, or Linux-based operating systems
- Installed Ethernet Adapter Internet Explorer version 6.0 or Netscape Navigator™ version 7.0 and above

Package Contents



**D-Link AirPremier™ DWL-3200AP
Managed Wireless Access Point**



**Power over Ethernet
base unit**



Ethernet Cable



Power Cord



CD-ROM with Manual



Mounting Plate



Power Adapter-DC 48V, 0.4A



Using a power adapter with a different voltage rating will damage and void the warranty of this product.

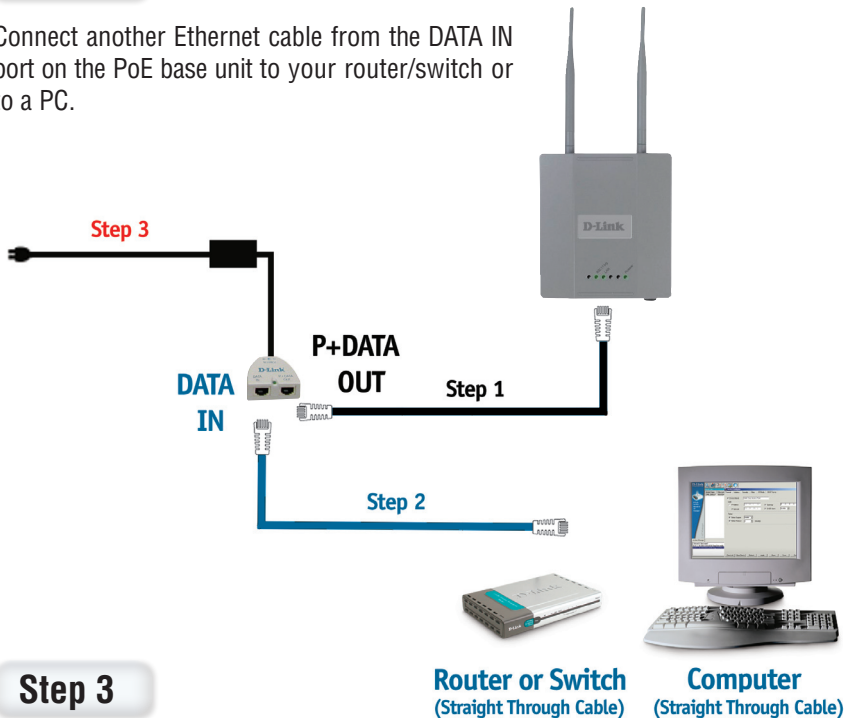
Installing the Hardware

Step 1

Connect one end of an Ethernet cable (included with your package) to the LAN port on the DWL-3200AP and the other end of the Ethernet cable to the port labeled P+DATA OUT on the PoE base unit.

Step 2

Connect another Ethernet cable from the DATA IN port on the PoE base unit to your router/switch or to a PC.

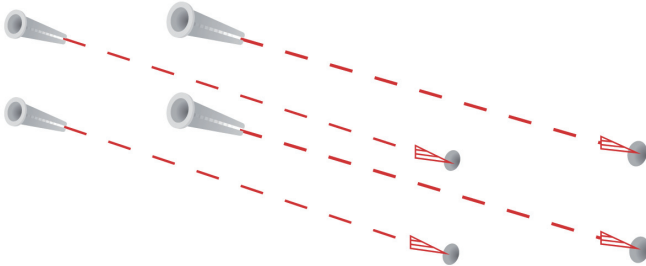


Step 3

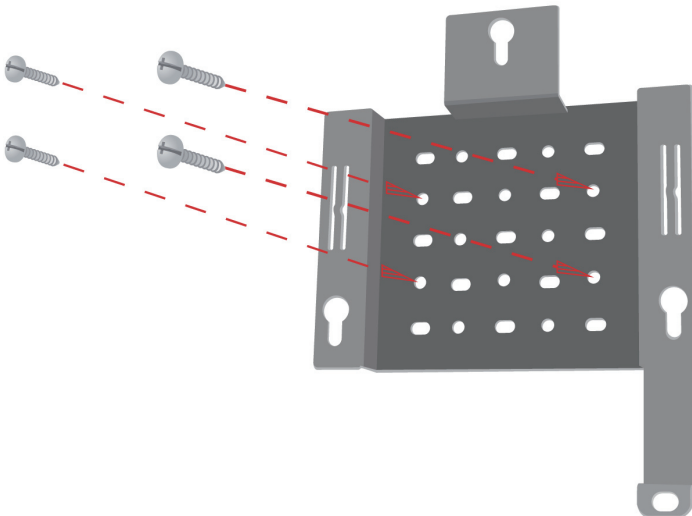
Attach the power adapter to the connector labeled POWER IN on the PoE base unit. Attach the power cord to the power adapter and into an electrical outlet.

Mounting Plate Assembly

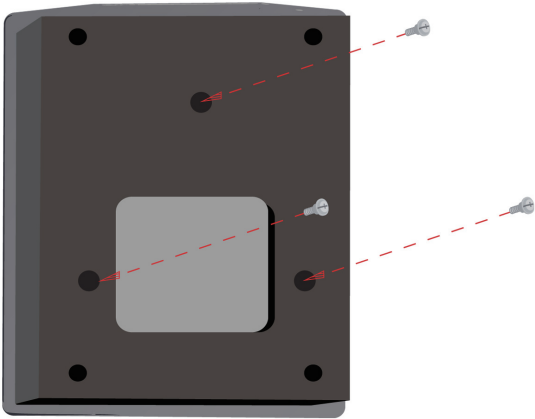
Step 1: Insert provided wall anchors in the wall where the mounting plate will be attached.



Step 2: Use the provided screws to secure the mounting plate on the wall.



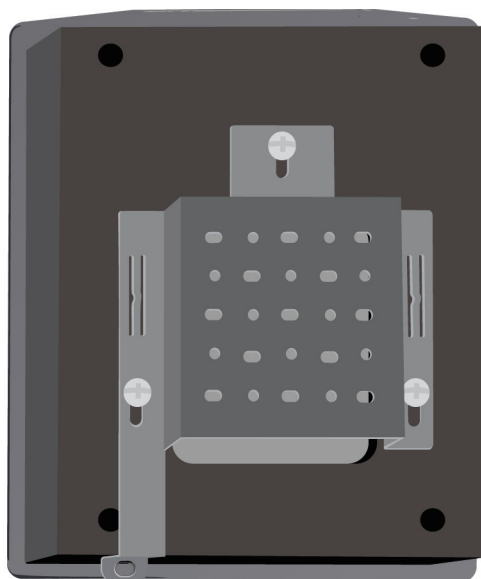
Step 3: Attach the remaining screws securely to the back of the DWL-3200AP.



Step 4: Attach the DWL-3200AP to the mounting plate.

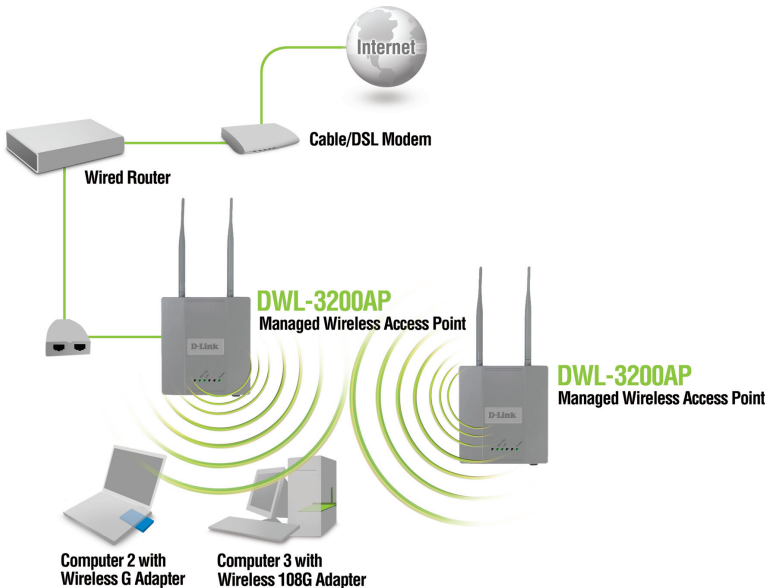


Step 5: Slide the DWL-3200AP down into the grooves on the mounting plate to secure it to the plate.



Your Setup is Complete

When you have completed the steps in this Installation Guide and configured your DWL-3200AP for your network, your network should look similar to this:



Technical Support

D-Link's website contains the latest user documentation and software updates for D-Link products.

U.S. and Canadian customers can contact D-Link Technical Support through our website or by phone.

United States

Telephone

(877) 354-6555

World Wide Web

<http://support.dlink.com>

Canada

Telephone

(877) 354-6560

World Wide Web

<http://support.dlink.com>



Version 2.40
August 22, 2007
6DWL3200Q.06G

©2005-2007 D-Link Corporation/D-Link Systems, Inc. All rights reserved. D-Link and the D-Link logo are registered trademarks of D-Link Corporation or its subsidiaries in the United States and other countries. Other trademarks are the property of their respective owners. All references to speed are for comparison purposes only. Maximum wireless signal rate derived from IEEE Standard 802.11g specifications. Actual data throughput will vary. Network conditions and environmental factors, including volume of network traffic, building materials and construction, and network overhead, lower actual data throughput rate. Environmental factors may adversely affect wireless signal range. Product specifications, size, and shape are subject to change without notice, and actual product appearance may differ from that depicted herein. Visit www.dlink.com for more details.