

USER MANUAL

DSL-2750U

AF_1.05_M02



D-Link[®]

broadband



Contents

1	Safety Precautions	1
2	Introduction	2
2.1	Packing List	2
2.2	LEDs and Interfaces	2
2.3	System Requirements	6
2.4	Features	6
3	Hardware Installation	7
3.1	Choosing the Best Location for Wireless Operation	7
3.2	Connecting the Router	7
4	About the Web Configurator	8
4.1	Access the Router	8
4.2	Setup	10
4.2.1	Wizard	10
4.2.2	Internet Setup	17
4.2.3	3G Internet Setup	25
4.2.4	Wireless Connection	28
4.2.5	Local Network	32
4.2.6	Time and Date	35
4.2.7	Print Server	36
4.2.8	Logout	37
4.3	Advanced	38
4.3.1	Wireless Settings	38
4.3.2	Port Forwarding	45
4.3.3	Port Triggering	48
4.3.4	DMZ	50
4.3.5	Parental Control	51
4.3.6	Filtering Options	55
4.3.7	DNS	61
4.3.8	Dynamic DNS	62
4.3.9	Storage Service	64
4.3.10	Multicast	66
4.3.11	Network Tools	67
4.3.12	Routing	79



4.3.13	Schedules.....	83
4.3.14	Logout	84
4.4	Maintenance	84
4.4.1	System.....	84
4.4.2	Firmware Update	86
4.4.3	Access Controls.....	86
4.4.4	Diagnostics	90
4.4.5	System Log.....	91
4.4.6	Logout.....	93
4.5	Status.....	93
4.5.1	Device Info.....	93
4.5.2	Wireless Clients	95
4.5.3	DHCP Clients.....	95
4.5.4	Logs.....	95
4.5.5	Statistics.....	96
4.5.6	Route info	98
4.5.7	Logout.....	98
5	FAQs	99
6	Support.....	100
	ADSL Support:.....	100
	Telephone: 10210.....	100
	Router Support:	100
	Telephone: 0860 243578 (0860 2 HELP U)	100



1 Safety Precautions

Follow the instructions below to prevent damage to the device and the risk of fire or electric shock:

- Use the power adapter supplied with the unit and plug it into a suitably rated power outlet.
- Leave sufficient space around the Power adapter and Modem to allow the free flow of air for heat dissipation. Do not cover the device ventilation slots as this will result in the device overheating.
- Do not install this device close to a heat source or in an area of high temperature. Avoid exposure to direct sunlight.
- Do not install in a damp environment or allow fluid to spill on the Modem or Power Supply.
- Only connect this device as specified in the Manual or installation Wizard. Failure to observe these instructions can lead to the risk of fire or damage to the equipment concerned.
- Install in a well-ventilated dry environment on a stable surface.



2 Introduction

The DSL-2750U is a highly integrated ADSL2/2+ Internet Access Device. It provides ADSL connectivity, optional 3G connectivity via USB port, Ethernet LAN and Wireless LAN services. The wireless LAN complies with the IEEE802.11b/g/n standards and supports 2T2R. It is used to provide high performance internet access for individual and SOHO users.

2.1 Packing List

- 1 x DSL-2750U Router
- 1 x 3-Pin Power Supply / Lightning Protection Unit
- 1 x Splitter
- 1 x Micro Filter
- 1 x Installation CD
- 2 x RJ11 Phone Cables (one is Red, one is Grey)
- 1 x RJ45 Ethernet cable (Yellow)
- Documents

2.2 LEDs and Interfaces

Note:

The figures in this document are for reference only.






Front Panel







Figure 1 Front panel

The LED indicators are as follows from left to right: Power, LAN1/2/3/4, WLAN, USB, DSL, Internet. The WPS indicator is on the side panel.

The following table describes the LEDs of the device.

LED	Color	Status	Description
Power 	Green	Off	The power is off.
		On	The power is on and the initialization is normal.
	Red	On	The device is initiating.
		Blinks	The firmware is upgrading.
LAN 1/2/3/4 	Green	Off	No LAN link.
		Blinks	Data is being transmitted through the LAN interface.
		On	The connection of LAN interface is normal.
WLAN 	Green	Blinks	Data is being transmitted through the WLAN interface.
		On	The connection of WLAN interface is normal.



LED	Color	Status	Description
		Off	The WLAN connection is not established.
USB 	Green	On	The connection of 3G or USB flash disk has been established.
		Blink	Data is being transmitted.
		Off	No signal is detected.
DSL 	Green	Off	Initial self-test failed.
		Blinks	The device is negotiating the best speed on the DSL line.
		On	DSL connection has been established.
Internet 	Green	Off	The device is in Bridge mode, DSL connection is not present, or the power is off.
		On	IP is connected and no traffic is detected.
	Red	On	The device attempted an IP connection, but failed.
WPS (on the side panel) 	Green	Blinks	WPS negotiation is enabled, waiting for wireless clients.
		Off	Device is ready for new WPS to setup.



Rear Panel



Figure 2 Rear panel

The following table describes the interface of the device.

Interface/Button	Description
DSL	RJ-11 interface for ADSL line.
LAN4/3/2/1	Ethernet RJ-45 interfaces that connect to the Ethernet interfaces of computers or other Ethernet devices.
USB	USB port, for connecting a 3G network card or other USB storage devices.
WIRELESS ON/OFF	Button to enable or disable WLAN.
RESET	Reset to the factory defaults. To restore factory defaults, keep the device powered on and push a paper clip into the hole. Press down the button for one second, and then release.
ON/OFF	Power on or off.
POWER	Socket that connects to the power adapter. The power adapter output is: 12 V DC 1A.
WPS (on the side panel)	WPS button to setup connection to wireless client.



2.3 System Requirements

Recommended system requirements are as follows:

- A 10/100BaseT Ethernet card or wireless adapter is installed on your PC
- Operating system: Windows 98SE, Windows 2000, Windows ME, Windows XP, Windows Vista or Windows 7
- Internet Explorer V5.0 or higher, Netscape V4.0 or higher, or Firefox 1.5 or higher

2.4 Features

The device supports the following features:

- User-friendly GUI for web configuration
- Compatible with all standard Internet applications
- Industry standard and interoperable DSL interface
- Simple web-based status page displays a snapshot of system configuration, and links to the configuration pages
- Downloadable flash software updates
- WLAN with high-speed data transfer rates of up to 300 Mbps, compatible with IEEE 802.11b/g/n, 2.4GHz compliant equipment
- IP routing and bridging
- Asynchronous Transfer Mode (ATM) and Digital Subscriber Line (DSL) support
- Point-to-Point Protocol (PPP)
- Network/Port Address Translation (NAT/PAT)
- Quality of Service (QoS)
- Wireless LAN security: WPA, 802.1x, RADIUS client
- Universal Plug-and-Play (UPnP)
- Print server
- Web filtering
- 3G Mobile WAN connection
- USB mass-storage, SAMBA
- System statistics and monitoring



3 Hardware Installation

3.1 Choosing the Best Location for Wireless Operation

Many environmental factors may affect the effective wireless function of the DSL Router. If this is the first time that you are setting up a wireless network device, read the following information:

The access point can be placed on a shelf or desktop, ideally you should be able to see the LED indicators in the front, as you may need to view them for troubleshooting.

Designed to go up to 100 meters indoors and up to 300 meters outdoors, wireless LAN lets you access your network from anywhere you want. However, the number of walls, ceilings, or other objects that the wireless signals must pass through limit signal range. Typical ranges vary depending on types of materials and background RF noise in your home or business.

3.2 Connecting the Router

- (1) Connect the **DSL** port of the router and the port marked (Red, DSL) on the splitter with the (Red) telephone cable; connect the phone to the port of the splitter marked (Green, Phone) using the cable provided with the telephone, and connect the short (line) cable of the splitter to the (OUT) socket of the 3-Pin Power Supply/Lightning Protection unit. Connect the telephone wall socket to the (IN) socket on the 3-Pin Power Supply/Lightning protection unit.

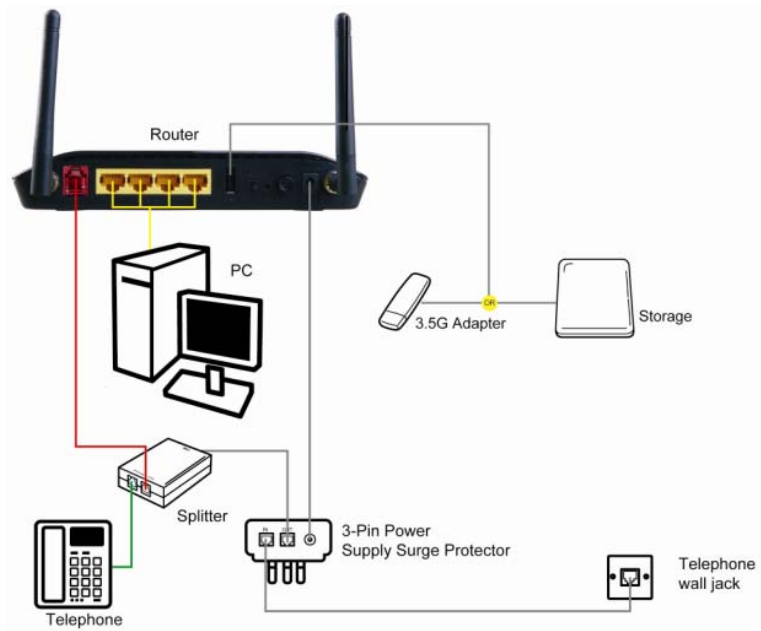
The splitter has three ports:

- **LINE:** Connect to (OUT) port on 3-Pin Power Supply/Lightning Protection Unit
 - **DSL:** Connect to the DSL interface of the router using the red cable provided
 - **PHONE:** Connect to a telephone set using the cable provided with the telephone
- (2) Connect the **LAN** port of the router to the network interface card (NIC) of the PC using the (Yellow) Ethernet cable provided.



- (3) Plug the 3-Pin Power Supply/Lightning Protection Unit into the wall outlet and then connect the other end of it to the **Power** port of the router (12V DC IN).

The following figure shows the connection of the Router, PC, and telephones.



4 About the Web Configuration Interface

This chapter describes how to configure the Router by using the Web-based configuration utility.

4.1 Access the Router

Configuring IP Address of the Network Card



Configure TCP/IP properties of your network card to **Obtain an IP address automatically from modem**, or set the IP address of the computer with the same network mask of the modem.

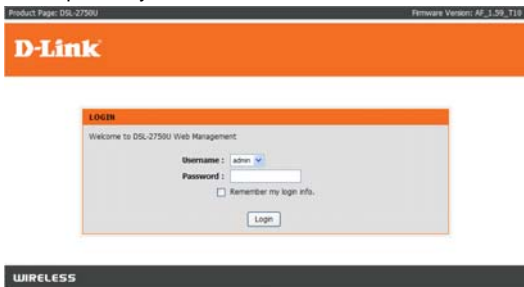
For example, if the IP address of Router is 10.0.0.2/255.255.255.0, you can set the IP address of the computer to **10.0.0.x/255.255.255.0**. The range for x is from 3 to 254.

The following is the detailed description of accessing the device for the first time.

Step 1 Open Internet Explorer (IE) browser and enter <http://10.0.0.2>.

Step 2 The **Login** page shown in the following figure appears. Enter the user name and password.

- The default user name and password are **admin** and **admin** respectively.



If you log in as the Administrator successfully, the page shown in the following figure appears.



If the login information is incorrect, click **Try Again** in the page that pops up to log in again.

4.2 Setup

4.2.1 Wizard

Wizard enables fast and accurate configuration of the Internet connection and other important parameters. The following sections describe these various configuration parameters.

When subscribing to a broadband service, you should be aware of the method by which you are connected to the Internet. Your physical WAN device can be Ethernet, DSL, or both. Technical information about the properties of your Internet connection are provided by your Internet Service Provider (ISP). For example, your ISP should inform you whether you are connected to the Internet using a static or dynamic IP address, or the protocol, such as PPPoA or PPPoE, that you use to communicate over the Internet.

Step 1 Choose **Setup > Wizard**. The page shown in the following figure appears.

DSL-2750U	SETUP	ADVANCED	MAINTENANCE	STATUS
Wizard	SETTING UP YOUR INTERNET			
Internet Setup	There are two ways to set up your Internet connection. You can use the Web-based Internet Connection Setup Wizard or you can manually configure the connection.			
3G Internet Setup	Please make sure you have your ISP's connection settings first if you choose manual setup.			
Wireless Connection	INTERNET CONNECTION WIZARD			
Local Network	You can use this wizard for assistance and quick connection of your new D-Link Router to the Internet. You will be presented with step-by-step instructions in order to get your Internet connection up and running. Click the button below to begin.			
Time and Date	<input type="button" value="Setup Wizard"/>			
Print Server	Note: Before launching the wizard, please ensure you have correctly followed the steps outlined in the Quick Installation Guide included with the router.			
Logout				



Step 2 Click **Setup Wizard**. The page shown in the following figure appears.

WELCOME TO D-LINK SETUP WIZARD

This wizard will guide you through a step-by-step process to configure your new D-Link router and connect to the Internet.

- **Step 1:** Change Device Login Password
- **Step 2:** Set Time and Date
- **Step 3:** Setup Internet Connection
- **Step 4:** Configure Wireless Network
- **Step 5:** Completed and Apply

Step 3 There are five steps to configure the device. Click **Next** to continue.

Step 4 Change Device Login Password.

The default password of admin account is "admin". In order to secure your network, please modify the password. Note: Confirm Password must be the same as "**New Password**". Of course, you can click **Skip** to ignore the step and keep the default password.

STEP 1: CHANGE DEVICE LOGIN PASSWORD → 2 → 3 → 4 → 5

To help secure your network, D-Link recommends that you should choose a new password. If you do not wish to choose a new password now, just click "Skip" to continue. Click "Next" to proceed to next step.

Current Password :

New Password :

Confirm Password :

**Step 5** Set time and date.

1 → STEP 2: SET TIME AND DATE → 3 → 4 → 5

The Time Configuration option allows you to configure, update, and maintain the correct time on the internal system clock. From this section you can set the time zone that you are in and set the NTP (Network Time Protocol) Server. Daylight Saving can also be configured to automatically adjust the time when needed.

TIME SETTINGS

Automatically synchronize with Internet time servers

First NTP time server : igubu.sax.net

Second NTP time server : sangoma.sax.net

TIME CONFIGURATION

Current Router Time : Mon Jul 18 00:55:46 2011

Time Zone : (GMT+02:00) Harare, Pretoria

Enable Daylight Saving, overwrite automatic rule

	Month	Week	Day	Time
Daylight Saving Dates : Start	Jan	1st	Sun	12 am
End	Jan	1st	Sun	12 am

Back Next Cancel

Step 6 Configure the Internet connection.

1 → 2 → STEP 3: SETUP INTERNET CONNECTION → 4 → 5

Please select your Country and ISP (Internet Service Provider) from the list below. If your Country or ISP is not in the list, please select "Others".

Country : South Africa

Internet Service Provider : Telkom

Protocol : PPPoE

Connection Type : LLC

VPI : 8 (0-255)

VCI : 35 (32-65535)

PPPoE

Please enter your Username and Password as provided by your ISP (Internet Service Provider). Please enter the information exactly as shown taking note of upper and lower cases. Click "Next" to continue.

Username : guest@tekomadsl

Password : *****

Confirm Password : *****

Back Next Cancel

Select the country and ISP. The default settings for the ISP will appear. If you fail to find the country and ISP from the drop-down lists, select **Others**, and set the VPI and VCI. Click **Next**. If the **Protocol** is **PPPoE** or **PPPoA**, the following page appears.



In this page, enter the user name and password provided by your ISP.

If the Protocol is **Dynamic IP** or **Bridge**, the page shown in the following figure appears.

1 → 2 → **STEP 3: SETUP INTERNET CONNECTION** → 4 → 5

Please select your Country and ISP (Internet Service Provider) from the list below. If your Country or ISP is not in the list, please select "Others".

Country :

Internet Service Provider :

Protocol :

Connection Type :

VPI : (0-255)

VCI : (32-65535)



If the Protocol is **Static IP**, the page shown in the following figure appears.

1 → 2 → **STEP 3: SETUP INTERNET CONNECTION** → 4 → 5

Please select your Country and ISP (Internet Service Provider) from the list below. If your Country or ISP is not in the list, please select "Others".

Country :

Internet Service Provider :

Protocol :

Connection Type :

VPI : (0-255)

VCI : (32-65535)

STATIC IP

You have selected Static IP Internet connection. Please enter the appropriate information below as provided by your ISP.

The Auto PVC Scan feature will not work in all cases so please enter the VPI/VCI numbers if provided by the ISP.

Click Next to continue.

IP Address :

Subnet Mask :

Default Gateway :

Primary DNS Server :

Enter the **IP Address**, **Subnet Mask**, **Default Gateway**, and **Primary DNS Server**. Click **Next**. The page shown in the following page appears.

1 → 2 → 3 → **STEP 4: CONFIGURE WIRELESS NETWORK** → 5

Your wireless network is enabled by default. You can simply uncheck it to disable it and click "Next" to skip configuration of wireless network.

 Enable Your Wireless Network

Your wireless network needs a name so it can be easily recognized by wireless clients. For security purposes, it is highly recommended to change the pre-configured network name.

Wireless Network Name (SSID) : (1~32 characters)

Select "Visible" to publish your wireless network and SSID can be found by wireless clients, or select "Invisible" to hide your wireless network so that users need to manually enter SSID in order to connect to your wireless network.

Visibility Status : Visible Invisible

In order to protect your network from hackers and unauthorized users, it is highly recommended you choose one of the following wireless network security settings.

None	Security Level	Best
<input type="radio"/> None	<input type="radio"/> WEP	<input type="radio"/> WPA-PSK
		<input checked="" type="radio"/> WPA2-PSK

Security Mode: WPA-PSK
Select this option if your wireless adapters support WPA-PSK.

Now, please enter your wireless security key.

WPA2 Pre-Shared Key :

(8-63 characters, such as a~z, A~Z, or 0~9, i.e. '%Fortress123&')

Note: You will need to enter the same key here into your wireless clients in order to enable proper wireless connection.

Select **Visible** to publish you Wireless network SSID so it can be used by other wireless clients or select **Invisible** to hide your wireless network so that users need to manually enter SSID in order to connect to your wireless network.

Security Level – Select the security level required. The most secure level is the default level already selected.

Wireless Security Key - Enter an appropriate wireless security key for the Security Level required. It is recommended that it is different to that of the default but should be easily remembered. Note the required characters for the type of Security Level selected.

**Note:**

You will need to enter the same key here into your wireless clients in order to enable proper wireless connection.

- Step 7** Configure the wireless network. Enter the information and click **Next**.
- Step 8** Completed And Apply. Click **Apply** to apply current settings and finish the setup of the DSL-2750U router. Click **Back** to review or modify any settings.

1 → 2 → 3 → 4 STEP 5: COMPLETED AND APPLY

Setup complete. Click "Back" to review or modify settings. Click "Apply" to apply current settings.

If your Internet connection does not work after apply, you can try the Setup Wizard again with alternative settings or use Manual Setup instead if you have your Internet connection details as provided by your ISP.

SETUP SUMMARY

Below is a detailed summary of your settings. Please print this page out, or write the information on a piece of paper, so you can configure the correct settings on your wireless client adapters.

Time Settings :	Enable
NTP Server 1 :	ntp1.dlink.com
NTP Server 2 :	None
Time Zone :	(GMT-08:00) Pacific Time, Tijuana
Daylight Saving Time :	Disable
VPI / VCI :	8/35
Protocol :	PPPoE
Connection Type :	LLC
Username :	test
Password :	test
Wireless Network :	Enabled
Wireless Network Name (SSID) :	DLINK
Visibility Status :	Visible
Encryption :	WPA2-PSK/AES (also known as WPA2 Personal)
Pre-Shared Key :	%Fortress123

Back

Apply

Cancel



Note:

In each step of the Wizard page, you can click **Back** to review or modify the previous settings. Click **Cancel** to exit the wizard page.

4.2.2 Internet Setup

Choose **Setup > Internet Setup**. The page shown in the following figure appears. In this page, you can configure the WAN interface of the device.

INTERNET SETUP

Choose "Add", "Edit", or "Delete" to configure WAN interfaces. A maximum of 8 entries can be configured.

WAN SETUP

	VPI/VCI	VLAN Mux	Service Name	Protocol	IGMP	QoS	NAT	Status	Action
<input type="checkbox"/>	8/35	N/A	pppoe_0_8_35	PPPoE	Disabled	Disabled	Enable	Unconfigured	

To add another WAN connection click **Add** in "**INTERNET SETUP**", or tick the box next to 8/35 and click **Edit**. The page shown in the following figure appears.

**INTERNET SETUP**

This screen allows you to configure an ATM PVC identifier (VPI and VCI) and select a service category.

ATM PVC CONFIGURATIONVPI: (0-255)VCI: (32-65535)Service Category: Peak Cell Rate: (cells/s)Sustainable Cell Rate: (cells/s)Maximum Burst Size: (cells)**IP QOS SCHEDULER ALGORITHM** **Strict Priority**Precedence of queue: (lowest) **Weighted Fair Queuing**Weight Value of queue: (1-63)MPAAL Group Precedence: **CONNECTION TYPE**Protocol: Encapsulation Mode: Enable Multiple Vlan Over One Connection: 802.1P Priority [0-7]: 802.1Q VLAN ID [0-4094]: **BRIDGE SETTINGS**Service Name:



- PVC Settings: VPI is the virtual path between two points in an ATM network and its valid value is from 0 to 255. Default value is 8.
- VCI is the virtual channel between two points in an ATM network, ranging from 32 to 65535 (0 to 31 is reserved for local management of ATM traffic). Default is 35.
- Service Category: Select one of the following values from the drop-down list - UBR Without PCR, UBR With PCR, CBR, Non Realtime VBR or Realtime VBR.
- Protocol: Select one of the following values from the drop-down list – Bridging, PPP over ATM (PPPoA), PPP over Ethernet (PPPoE), MAC Encapsulation Routing (MER), IP over ATM (IPoA).
- Qos scheduler: You can select between either **Strict Priority** or **Weighted Fair Queuing**. QoS Scheduler provides for two options of bandwidth management that can monitor the importance of data packets and depending upon the priority of the packet, give it higher or lower priority or bandwidth level.
Strict Priority Queuing (SPQ) - queues are assigned a priority order and served strictly according to that order. A low-priority queue may be starved if there are always packets in higher-priority queues.
Weighted fair queuing (WFQ) - queues are each assigned a weight, and they share the bandwidth of the port according to that weight.
Based on network calculus the DSL-2750U can build analytical models for traffic flows under SPQ and WFQ scheduling.
- Encapsulation Mode: Select the method of encapsulation provided by your ISP. Select an option from the drop-down list – LLC/SNAP-Bridging, VC/MUX. Click **Next**, the page shown in the following figure appears.



WAN

Make sure that the settings below match the settings provided by your ISP.

Click "Apply" to save these settings. Click "Back" to make any modifications.

NOTE: You need to reboot to activate this WAN interface and further configure services over this interface.

SETUP - SUMMARY

VPI / VCI:	8 / 35
Connection Type:	Bridge
Service Name:	br_0_8_35
Service Category:	UBR
IP Address:	Not Applicable
Service State:	Enabled

[Back](#)[Apply](#)

If you select the **PPP over Ethernet (PPPoE)** or **PPP over ATM (PPPoA)** as the connection protocol, the following page appears.



Protocol:

Encapsulation Mode:

Enable Multiple Vlan Over One Connection:

802.1P Priority [0-7]:

802.1Q VLAN ID [0-4094]:

PPP USERNAME AND PASSWORD

PPP Username:

PPP Password:

Confirm PPP Password:

Authentication Method:

Dial On Demand (With Idle Timeout Timer):

Inactivity Timeout: (minutes [1-4320])

Dial On Manual:

MTU Size: (1370-1492)

PPP IP Extension:

IPV4 Setting

Use Static IP Address.

IP Address:

NETWORK ADDRESS TRANSLATION SETTINGS

Enable NAT:

Enable Firewall:

Enable IGMP Multicast:

Service Name:



- **PPP Username:** The correct user name that your ISP provides you.
- **PPP Password:** The correct password that your ISP provides you.
- **Authentication Method:** The value can be AUTO, PAP, CHAP, or MSCHAP. Usually, AUTO will be selected.
- **Dial on demand (with idle timeout timer):** If this function is enabled, you need to enter the idle timeout time. Within the preset time, if the modem does not detect data flow, the modem automatically stops the PPPoE connection. Once it detects data flow (like access to a webpage), the modem restarts the PPPoE dialup.

If this function is disabled, the modem performs PPPoE dial-up all the time. The PPPoE connection does not stop, unless the modem is powered off or the DSLAM or uplink equipment is faulty.
- **MTU Size:** Maximum Transmission Unit. This function sometimes must be modified to access the network successfully.
- **PPP IP extension:** If this function is enabled, the WAN IP address obtained by the modem through the built-in dial-up can be directly assigned to the PC being attached to the modem (at this time, the modem connects to only one PC). From the aspect of the PC user, the PC dials up to obtain an IP address. But actually, the dial-up is done by the modem.

If this function is disabled, the modem itself obtains the WAN IP address.
- **Use Static IP Address:** If this function is disabled, the modem obtains an IP address assigned by uplink equipment such as BAS, through PPPoE dial-up. If this function is enabled, the modem uses this IP address as the WAN IP address.
- **Enable NAT:** Select it to enable the NAT functions of the modem. If you do not want to enable NAT and wish the modem user to access the Internet normally, you must add a route on the uplink equipment. Otherwise, the access to the Internet fails. Normally, NAT is enabled.
- **Enable Firewall:** Enable or disable IP filtering.
- **Enable IGMP Multicast:** IGMP proxy. For example, if you would like PPPoE mode to support IPTV, enable this function.

If you select the **MAC Encapsulation Routing (MER)** as the connection protocol, the following page appears.



Protocol: ▼

Encapsulation Mode: ▼

Enable Multiple Vlan Over One Connection:

802.1P Priority [0-7]:

802.1Q VLAN ID [0-4094]:

WAN IP SETTINGS

IPv4 Setting

- Obtain an IP address automatically
- Use the following IP address:
- WAN IP Address:
- WAN Subnet Mask:
- Default Gateway:
- Obtain DNS info automatically from WAN interface
- Use the following Static DNS IP address:
- Primary DNS server:
- Secondary DNS server:

NETWORK ADDRESS TRANSLATION SETTINGS

Enable NAT:

Enable Firewall:

Enable IGMP Multicast:

Service Name:



- **Obtain an IP address automatically:** The modem obtains a WAN IP address automatically and at this time it enables DHCP client functions. The WAN IP address is obtained from the uplink equipment like BAS and the uplink equipment is required to enable the DHCP server functions.
- **Use the following IP address:** If you want to manually enter the WAN IP address, select this check box and enter the information in the field.
- **WAN IP Address:** Enter the IP address of the WAN interface provided by your ISP.
- **WAN Subnet Mask:** Enter the subnet mask concerned to the IP address of the WAN interface provided by your ISP.
- **Default Gateway:** Enter the default gateway.
- **Obtain DNS info automatically from WAN interface:** You can get DNS server information from the selected WAN interface
- **Use the following Static DNS IP address:** If you want to manually enter the IP address of the DNS server, select this check box and enter the information in the fields.
- **Primary DNS server:** Enter the IP address of the primary DNS server.
- **Secondary DNS server:** Enter the IP address of the secondary DNS server provided by your ISP.

After setting appropriate fields, click **Next**.



WAN

Make sure that the settings below match the settings provided by your ISP.

Click "Apply" to save these settings. Click "Back" to make any modifications.

NOTE: You need to reboot to activate this WAN interface and further configure services over this interface.

SETUP - SUMMARY

VPI / VCI:	8 / 35
Connection Type:	IPoE
Service Name:	mer_0_8_35
Service Category:	UBR
IP Address:	Automatically Assigned
Service State:	Enabled
NAT:	Enabled
Firewall:	Enabled
IGMP Multicast:	Disabled
Quality Of Service:	Enabled

4.2.3 3G Internet Setup

Choose **Advanced Setup > 3G Internet Setup**, and the following page appears.

3G MOBILE SETUP

Choose Add, Remove or Edit to configure a WAN service For 3G Mobile interface.

WIDE AREA NETWORK (WAN) SERVICE FOR 3G MOBILE SETUP

modem status: NO USB CARD

Interface	Description	Type	Vlan8021p	VlanMuxId	Igmp	NAT	Firewall	Remove	Edit	Action
<input type="button" value="Add"/> <input type="button" value="Remove"/> <input type="button" value="Information"/> <input type="button" value="Pin Manage"/> <input type="button" value="Upload Driver"/>										

This page is used to configure the 3G connection. If you want to access the Internet through a 3G connection, a 3G network card is required. Connect the 3G network card to the USB interface of the Router.



If the 3G network card is installed, you may click the button on the **Action** column to establish or disconnect the 3G connection.

- **Information:** Click this button to display the information of the 3G network card.
- **Upload Driver:** For an un-supported USB dongle, click this button to upload the new driver for USB support. The driver will be a text file which should be obtained from your 3G dongle provider.
- **Pin Manage:** Click this button to manage the PIN.

The following modes of PIN management are shown.

- Enable PIN protect
- Disable PIN protect
- Unlock with PIN code
- Unlock with PUK & PIN
- Change PIN code

- **Enable PIN protect:** If you Enable it, you need to enter the PIN code when rebooting or inserting the USB device.
- **Unlock with PIN code:** If you Enable it, you need to enter the PIN code when using a 3G device.
- **Unlock with PUK & PIN:** If you Enable it, you need to enter the PUK code when failing to enter the correct PIN code 3 times.
- **Change PIN code:** Choose this to change the PIN code.

Click **Add** in the **3G Mobile Setup** to display the following page.

**3G USB MOBILE MODEM SETUP**

This screen allows you to configure a 3G wan interface.

WIDE AREA NETWORK (WAN) SERVICE FOR 3G MOBLIE SETUP

Enable USB Modem

User Name:

Password:

Authentication Method:

APN:

Dial Number:

Idle time(in sec.):

Net Select:

Dial on demand

Dial Delay(in sec.):

Default WAN Connection Select:

WAN backup mechanism:

DSL IP connectivity

Apply/Save

Auto Setting

Default settings for Username, Password, Authentication method, APN, and Dial Number are to be set.

In this page, you are allowed to configure the settings of the 3G USB modem.

- **Enable USB Modem:** If you want to access the Internet through the 3G network card, you must enable the USB modem.
- **User Name:** Username provided by your 3G ISP.
- **Password:** Password provided by your 3G ISP.
- **Authentication Method:** Select a proper authentication method from the drop-down list. You can select Auto, PAP, CHAP, or MSCHAP.
- **APN:** APN (Access Point Name) is used to identify the service type. Enter the APN provided by your 3G ISP.
- **Dial Number:** Enter the dial number provided by your 3G ISP.
- **Idle time (in sec.):** If there is no traffic for the preset time, the 3G will disconnect automatically.
- **Net Select:** Select the 3G network that is available. You may select EVDO, WCDMA, CDMA2000, TD-SCDMA, GSM, or Auto.



- **Dial on demand:** Within the preset time, if the modem does not detect data flow, the modem automatically stops the 3G connection. Once it detects data flow (e.g. access to a webpage), the modem restarts the 3G dialup.
- **Dial Delay (in sec.):** The 3G delays dial after the DSL is disconnected.
- **Default WAN Connection Select:** You can select DSL or 3G from the drop-down list.
- **WAN backup mechanism:** The 3G connection is used as backup for the DSL connection.
 - **DSL:** If the DSL is disconnected, the 3G starts to dial.
 - **IP connectivity:** If the system fails to ping the specified IP address, the 3G starts to dial.

After adding the settings, click the **Apply/Save** button to save the settings.

You may also click the **auto setting** button to automatically configure the 3G connection.

After clicking the **Apply/Save** button, the settings will take effect.

Note:

When there is no DSL WAN connection, insert the 3G network card, and the system will perform a dial-up automatically. If the DSL WAN connection and the 3G connection coexist, the DSL WAN connection takes priority over the 3G connection. When the DSL WAN connection starts to perform a dial-up, the 3G connection will be disconnected. If the DSL WAN connection has been established, you may manually perform a 3G dial-up, and then the DSL WAN connection will be disconnected.

4.2.4 Wireless Connection

This section includes the wireless connection setup wizard and WPS setup wizard.

There are two ways to setup your wireless connection. You can use the **Wireless Connection Setup Wizard** or you can manually configure the connection.

Choose **Setup > Wireless Connection**. The **Wireless Connection** page shown in the following figure appears.



WIRELESS CONNECTION

There are two ways to setup your wireless connection. You can use the Wireless Connection Setup Wizard or you can manually configure the connection.

Please note that changes made on this section will also need to be duplicated to your wireless clients and PC.

WIRELESS CONNECTION SETUP WIZARD

If you would like to utilize our easy to use Web-based Wizard to assist you in connecting your new D-Link Systems Wireless Router to the Internet, click on the button below.

Wireless Connection Setup Wizard

Note: Before launching the wizard, please ensure you have followed all steps outlined in the Quick Installation Guide included in the package.

ADD WIRELESS DEVICE WITH WPS (WI-FI PROTECTED SETUP) WIZARD

This wizard is designed to assist you in connecting your wireless device to your router. It will guide you through step-by-step instructions on how to get your wireless device connected. Click the button below to begin.

Add Wireless Device with WPS

MANUAL WIRELESS CONNECTION OPTIONS

If you would like to configure the Internet settings of your new D-Link Router manually, then click on the button below.

Manual Wireless Connection Setup

WPS RESET TO UNCONFIGURED

Wps reset to unconfigured, the "wireless settings" will be reset to factory default, other settings will remain unchanged.

Reset to Unconfigured

Figure 3

4.2.4.1 Wireless Wizard

In the **Wireless Connection** page, Click **"Wireless Connection Setup Wizard"**, the page shown in the following figure appears.



WELCOME TO THE D-LINK WIRELESS SECURITY SETUP WIZARD

Give your network a name, using up to 32 characters.

Network Name (SSID):

Automatically assign a network key (Recommended)

To prevent outsiders from accessing your network, the router will automatically assign a security key (also called WEP or WPA key) to your network.

Manually assign a network key

Use this option if you prefer to create your own key

Use WPA encryption instead of WEP (WPA is stronger than WEP and all D-Link wireless client adapters support WPA)

If you select **“Use WPA encryption instead of WEP”** and **“Manually assign a network key”**, then click **“Next”**, the page shown in the following figure appears.

WELCOME TO THE D-LINK WIRELESS SECURITY SETUP WIZARD

The WPA (Wi-Fi Protected Access) key must meet one of following guidelines.

- Between 8 and 63 characters (A longer WPA key is more secure than a short one)
- Exactly 64 characters using 0-9 and A-F

Network Key :

If you only select **“Manually assign a network key”**, then click **“Next”**, the page shown in the following figure appears.

WELCOME TO THE D-LINK WIRELESS SECURITY SETUP WIZARD

The WEP (or Wired Equivalent Privacy) key must meet one of following guidelines.

- Exactly 5 or 13 characters
- Exactly 10 or 26 characters using 0-9 and A-F

A longer WEP key is more secure than a short one.

Network Key :

After you enter the network key, the page shown in the following figure appears, you can confirm the wireless settings in this page.



WELCOME TO THE D-LINK WIRELESS SECURITY SETUP WIZARD

Please enter the following settings in the wireless device that you are adding to your wireless network and keep a note of it for future reference

Network Name (SSID) : **dlink**

Wireless Security Mode : **WPA-PSK TKIP**

Network Key: **123456789**

Click **Save** to save the settings.

4.2.4.2 Add Wireless Device

In the **Wireless Connection** page, Click **Add Wireless Device with WPS**, the page shown in the following figure appears.

ADD WIRELESS DEVICE WITH WPS (WI-FI PROTECTED SETUP)

Please select one of the following configuration methods and click next to continue.

Auto -- Select this option if your wireless device supports WPS (Wi-Fi Protected Setup)

Manual -- Select this option will display the current wireless setting for you to configure the wireless device manually

Figure 4

Select **Auto**, then click **Next**, the page shown in the following figure appears.

ADD WIRELESS DEVICE WITH WPS (WI-FI PROTECTED SETUP)

There are two ways to add wireless device to your wireless network:

- PIN (Personal Identification Number)
- PBC (Push Button Configuration)

PIN :

Please enter the PIN from your wireless device and click the bellow "Connect" button

PBC :

Please press the push button on your wireless device and press the "Connect" button bellow within 120 seconds

Figure 5

When **PIN** is used, users are allowed to enter no more than eight digits in the field. Select **Manual**, click **Next**, the page shown in the following figure appears.



It displays the current wireless settings and you can manually enter the settings in the wireless device that's to be added to the wireless network.

ADD WIRELESS DEVICE WITH WPS (WI-FI PROTECTED SETUP)

Please enter the following settings in the wireless device that you are adding to your wireless network and keep a note of it for future reference

Network Name (SSID) : **aaaa**

Wireless Security Mode : **WPA-PSK TKIP+AES**

Network Key : **PNHbBiUCFFceAVq6**

4.2.4.3 Manual Wireless Setup

If you want to configure the Internet settings of you new D-Link Router manually, click **Manual Wireless Connection Setup**. It will redirect to 4.3.1 Wireless Settings.

4.2.4.4 Wireless WPS

In the **Wireless Connection** page, Click **Reset to Un-configured**, the page shown in the following figure appears.

WPS RESET TO UNCONFIGURED

Set "wireless settings" to factory default . Click "OK" button to save or "Cancel" button to give up.

SSID: **dlink**

Channel: **6**

Wireless Security Mode: **WPA-PSK**

Cipher Type: **TKIP**

Network Key (PSK): **11851528db32**

Once the "**Reset to Un-configured**" button is clicked, the "wireless settings" will be reset to factory default, other settings will remain unchanged.

4.2.5 Local Network

You can configure the LAN IP address according to the actual application. The preset IP address is 10.0.0.2. You can use the default settings and DHCP service to manage the IP settings for the private network. The IP address of the device is the base address used for DHCP. To use the device for DHCP on your LAN, the IP address pool used for DHCP must be compatible with the IP address of the device.



The IP address available in the DHCP IP address pool changes automatically if you change the IP address of the device.

You can also enable the secondary LAN IP address. The two LAN IP addresses must be in different networks.

Choose **Setup > Local Network**. The **Local Network** page shown in the following figure appears.

LOCAL NETWORK

This section allows you to configure the local network settings of your router. Please note that this section is optional and you should not need to change any of the settings here to get your network up and running.

ROUTER SETTINGS

Use this section to configure the local network settings of your router. The Router IP Address that is configured here is the IP Address that you use to access the Web-based management interface. If you change the IP Address here, you may need to adjust your PC's network settings to access the network again.

Router IP Address :

Subnet Mask :

Configure the second IP Address and Subnet Mask for LAN interface

IP Address :

Subnet Mask :

By default, **Enable DHCP Server** is selected for the Ethernet LAN interface of the device. DHCP service supplies IP settings to workstations configured to automatically obtain IP settings that are connected to the device through the Ethernet port. When the device is used for DHCP, it becomes the default gateway for DHCP clients connected to it. If you change the IP address of the device, you must also change the range of IP addresses in the pool used for DHCP on the LAN. The IP address pool can contain up to 253 IP addresses.



DHCP SERVER SETTINGS (OPTIONAL)

Use this section to configure the built-in DHCP Server to assign IP addresses to the computers on your network.

Disable DHCP Server
 Enable DHCP Server

DHCP IP Address Range : to

DHCP Lease Time : (hours)

Enable DHCP Server Relay

DHCP Server IP Address :

Figure 6

The DHCP IP Address Range will change automatically if the router IP has been changed.

Click **Apply** to save the settings.

In the **Local Network** page, you can assign IP addresses on the LAN to specific individual computers based on their MAC addresses by using the DHCP Reservations List.

DHCP RESERVATIONS LIST

Status	Computer Name	MAC Address	IP Address
--------	---------------	-------------	------------

Click **Add** to add static DHCP (optional). The page shown in the following figure appears.



ADD DHCP RESERVATION (OPTIONAL)
Enable :
Computer Name :
IP Address :
MAC Address :

Select **Enable** to reserve the IP address for the designated PC with the configured MAC address.

The **Computer Name** helps you to recognize the PC with the MAC address, for example, Father's Laptop.

Click **Apply** to save the settings.

After the DHCP reservation is saved, the DHCP reservations list displays the configuration.

If the DHCP reservations list table is not empty, you can select one or more items and click **Edit** or **Delete**.

4.2.6 Time and Date

Choose **Setup > Time and Date**. The page shown in the following figure appears.



TIME AND DATE

The Time Configuration option allows you to configure, update, and maintain the correct time on the internal system clock. From this section you can set the time zone that you are in and set the NTP (Network Time Protocol) Server. Daylight Saving can also be configured to automatically adjust the time when needed.

TIME SETTINGS

Automatically synchronize with Internet time servers

First NTP time server : igubu.saix.net

Second NTP time server : sangoma.saix.net

TIME CONFIGURATION

Current Router Time : Mon Jul 18 00:06:19 2011

Time Zone : (GMT+02:00) Harare, Pretoria

Enable manual Daylight Saving, overwrite automatic rule

	Month	Week	Day	Time
Daylight Saving Dates : Start	Jan	4th	Sun	12 am
End	Jan	4th	Sun	12 am

Apply Cancel

Figure 7 Default to SA time zone

In the **Time and Date** page, you can configure, update, and maintain the correct time on the internal system clock. You can set the time zone that you are in and the network time protocol (NTP) server. You can also configure daylight saving to automatically adjust the time when needed.

Select **Automatically synchronize with Internet time servers**.

Select the specific time server and the time zone from the corresponding drop-down lists.

Select **Enable manual Daylight Savings, overwrite automatic rule** if necessary.

Set the daylight saving dates as you want.

Click **Apply** to save the settings.

4.2.7 Print Server

Choose **Setup > Print Server**. The page shown in the following figure appears.



PRINT SERVER SETTINGS

This page allows you to enable / disable printer support.

PRINT SERVER SETTINGS

Enable on-board print server.

Save/Apply

Select **Enable on-board print server**, the page shown in the following figure appears.

PRINT SERVER SETTINGS

Enable on-board print server.

Printer name

Make and model

Save/Apply

- **Printer name:** can be any text string up to 80 characters.
- **Make and model:** can be any text string up to 80 characters.

Click **Save/Apply** to save the settings.

4.2.8 Logout

Choose **Setup > Logout**. The page shown in the following figure appears. In this page, you can log out of the configuration page.



LOGOUT

Logging out will close the browser.

Logout

4.3 Advanced

This section includes advanced features used for network management, security and administrative tools to manage the device. You can view status and other information that are used to examine performance and troubleshoot.

4.3.1 Wireless Settings

This function is used to modify the standard 802.11 wireless radio settings. It is recommend not to change the default settings, because incorrect settings may impair the performance of your wireless radio. The default settings provide the best wireless radio performance in most environments.

Choose **ADVANCED > Wireless Settings**. The page shown in the following figure appears.

DSL-2750U	SETUP	ADVANCED	MAINTENANCE	STATUS	HELP
Wireless Settings	WIRELESS SETTINGS -- WIRELESS BASICS				
Port Forwarding	Configure your wireless basic settings.				
Port Triggering	Wireless Basics				
DMZ	ADVANCED WIRELESS -- ADVANCED SETTINGS				
Parental Control	Allows you to configure advanced features of the wireless LAN interface.				
Filtering Options	Advanced Settings				
DNS	ADVANCED WIRELESS -- MAC FILTERING				
Dynamic DNS	Allows you to configure wireless firewall by denying or allowing designated MAC addresses.				
Storage Service	MAC Filtering				
Multicast	ADVANCED WIRELESS -- SECURITY SETTINGS				
Network Tools	Allows you to configure security features of the wireless LAN interface.				
Routing	Security Settings				
MultiNat					
Schedules					
Logout					



4.3.1.1 Wireless Basics

In the **Wireless Settings** page, click **Wireless Basic**, the page shown in the following figure appears. In this page, you can configure the parameters of wireless LAN clients that may connect to the device.

WIRELESS BASICS

Use this section to configure the wireless settings for your D-Link router. Please note that changes made in this section will also need to be duplicated to your wireless clients and PC.

WIRELESS NETWORK SETTINGS

Enable Wireless

Wireless Network Name (SSID) :

Visibility Status : Visible Invisible

Country :

Wireless Channel :

802.11 Mode :

Please take note of your SSID as you will need to duplicate these settings to your wireless devices and PC.

- **Enable Wireless:** Select this to turn Wi-Fi on and off.
- **Wireless Network Name (SSID):** The Wireless Network Name is a unique name that identifies a network. All devices on a network must share the same wireless network name in order to communicate on the network. If you decide to change the wireless network name from the default setting, enter your new wireless network name in this field.
- **Visibility Status:** You can select **Visible** or **Invisible**.
- **Country:** Select the country from the drop-down list.
- **Wireless Channel:** Select the wireless channel from the drop-down menu. It is different for different countries.
- **802.11 Mode:** Select the appropriate 802.11 mode based on the wireless clients in your network. The drop-down menu options are 802.11n auto, 802.11g only, Mixed 802.11g and 802.11b, or 802.11b only.

Click **Apply** to save the settings.



4.3.1.2 MAC Filtering

In the **Wireless Settings** page, click **MAC Filtering**, the page shown in the following figure appears.

In this page, you can allow or deny users access to the wireless router based on their MAC address.

MAC FILTERING

Enter the MAC address and click "Apply" to add the MAC address to the wireless MAC address filters.

Wireless MAC Filtering Policy:

- Enable Wireless MAC Filtering
- Only **ALLOW** computers listed to access wireless network
- Only **DENY** computers listed will be blocked to access wireless network

Apply Cancel

WIRELESS MAC FILTERING LIST

MAC Address	SSID
-------------	------

Add

Click **Add**, the page shown in the following figure appears.

MAC FILTERING

MAC Address : SSID : DLINK ▾

Apply Cancel

4.3.1.3 Security Settings

In the **Wireless Settings** page, click **Security Settings**. The page shown in the following figure appears.



SETUP	ADVANCED	MAINTENANCE	STATUS
SECURITY SETTINGS			
<p>This page allows you to configure security features of the wireless LAN interface. You can set the network authentication method, select data encryption, specify whether a network key is required to authenticate to this wireless network and specify the encryption strength OR setup wireless security through WiFi Protected Setup(WPS). Click "Apply" to configure the wireless security options.</p>			
WPS SETUP			
Enable WPS: <input type="text" value="Disabled"/>			
WIRELESS SSID			
Select SSID : <input type="text" value="D-Link"/>			
WIRELESS SECURITY MODE			
<p>To protect your privacy you can configure wireless security features. This device supports three wireless security modes including: WEP, WPA and WPA2. WEP is the original wireless encryption standard. WPA and WPA2 provides a higher level of security.</p> <p>Note : If you choose WEP as your security mode, please go to 'manage wireless networks' on the accessing PC to check the WEP encryption type. You should make sure the WEP encryption type on the accessing PC is shared. Because such encryption type is matching the Modem's and it's securer.</p>			
Security Mode : <input type="text" value="WPA-Personal"/>			
WIRELESS SECURITY MODE			
WPA Mode: <input type="text" value="Auto (WPA or WPA2)"/>			
WPA passphrase: <input type="text" value="999999999"/>			
WPA Group Rekey Interval: <input type="text" value="0"/>			
WPA/WAPI Encryption: <input type="text" value="TKIP+AES"/>			
<p>Please take note of your SSID and security Key as you will need to duplicate the same settings to your wireless devices and PC.</p>			
<input type="button" value="Apply/Save"/> <input type="button" value="Cancel"/>			

Select the SSID that you want to configure from the drop-down list.



Select the encryption type from the **Security Mode** drop-down list. You can select WEP-Open System, WEP-Shared Key, WPA-Personal and WPA-Enterprise.

If you select **WEP-Open System**, the page shown in the following figure appears.

WIRELESS SECURITY MODE

To protect your privacy you can configure wireless security features. This device supports three wireless security modes including: WEP, WPA and WPA2. WEP is the original wireless encryption standard. WPA and WPA2 provides a higher level of security.

Note : If you choose WEP as your security mode, please go to 'manage wireless networks' on the accessing PC to check the WEP encryption type. You should make sure the WEP encryption type on the accessing PC is shared. Because such encryption type is matching the Modem's and it's securer.

Security Mode :

WIRELESS SECURITY MODE

WEP Encryption:

Encryption Strength:

Current Network Key:

Network Key 1:

Network Key 2:

Network Key 3:

Network Key 4:

Enter 13 ASCII characters or 26 hexadecimal digits for 128-bit encryption keys
Enter 5 ASCII characters or 10 hexadecimal digits for 64-bit encryption keys

Please take note of your SSID and security Key as you will need to duplicate the same settings to your wireless devices and PC.

WEP (Wireless Encryption Protocol) encryption can be enabled for security and privacy. WEP encrypts the data portion of each frame transmitted from the wireless adapter using one of the predefined keys.

The router offers 64 or 128 bit encryption with four keys available.

Select **Encryption Strength** from the drop-down menu. (128 bit is stronger than 64 bit)



Enter the key into the Network Key field 1~4. (Key length is outlined at the bottom of the window.)

Click **Apply/Save** to save the settings.

If you select **WEP-Shared Key**, the page shown in the following figure appears.

WIRELESS SECURITY MODE

To protect your privacy you can configure wireless security features. This device supports three wireless security modes including: WEP, WPA and WPA2. WEP is the original wireless encryption standard. WPA and WPA2 provides a higher level of security.

Note : If you choose WEP as your security mode, please go to 'manage wireless networks' on the accessing PC to check the WEP encryption type. You should make sure the WEP encryption type on the accessing PC is shared. Because such encryption type is matching the Modem's and it's securer.

Security Mode : ▼

WIRELESS SECURITY MODE

Encryption Strength: ▼

Current Network Key: ▼

Network Key 1:

Network Key 2:

Network Key 3:

Network Key 4:

Enter 13 ASCII characters or 26 hexadecimal digits for 128-bit encryption keys

Enter 5 ASCII characters or 10 hexadecimal digits for 64-bit encryption keys

Please take note of your SSID and security Key as you will need to duplicate the same settings to your wireless devices and PC.

If you select **WPA-Personal**, the page shown in the following figure appears.

**WIRELESS SECURITY MODE**

To protect your privacy you can configure wireless security features. This device supports three wireless security modes including: WEP, WPA and WPA2. WEP is the original wireless encryption standard. WPA and WPA2 provides a higher level of security.

Note : If you choose WEP as your security mode, please go to 'manage wireless networks' on the accessing PC to check the WEP encryption type. You should make sure the WEP encryption type on the accessing PC is shared. Because such encryption type is matching the Modem's and it's securer.

Security Mode :

WIRELESS SECURITY MODE

WPA Mode:

WPA passphrase:

WPA Group Rekey Interval:

WPA/WAPI Encryption:

Please take note of your SSID and security Key as you will need to duplicate the same settings to your wireless devices and PC.

Apply/Save

Cancel

If you select **WPA- Enterprise**, the page shown in the following figure appears.



To protect your privacy you can configure wireless security features. This device supports three wireless security modes including: WEP, WPA and WPA2. WEP is the original wireless encryption standard. WPA and WPA2 provides a higher level of security.

Note : If you choose WEP as your security mode, please go to 'manage wireless networks' on the accessing PC to check the WEP encryption type. You should make sure the WEP encryption type on the accessing PC is shared. Because such encryption type is matching the Modem's and it's securer.

Security Mode :

WIRELESS SECURITY MODE

WPA2 Preauthentication:

Network Re-auth Interval:

WPA Mode:

WPA Group Rekey Interval:

RADIUS Server IP Address:

RADIUS Port:

RADIUS Key:

WPA/WAPI Encryption:

Please take note of your SSID and security Key as you will need to duplicate the same settings to your wireless devices and PC.

You can only use WPA-enterprise if you have set up RADIUS server. This is the WPA/WPA2 authentication with RADIUS server instead of pre-shared key.

4.3.2 Port Forwarding

This function is used to open ports on your device and redirect data through those ports to a single PC on your network (WAN-to-LAN traffic). It allows remote users to access services on your LAN, such as FTP for file transfers or SMTP and POP3 for e-mail. The device accepts remote requests for these services at your global IP address. It uses the specified TCP or UDP protocol and port number, and redirects these requests to the server on your LAN with the LAN IP address you specify.



Note that the specified private IP address must be within the available range of the subnet where the device is in.

Choose **ADVANCED** > **Port Forwarding**. The page shown in the following figure appears.

PORT FORWARDING

Port Forwarding allows you to direct incoming traffic from the WAN side (identified by protocol and external port) to the internal server with a private IP address on the LAN side. The internal port is required only if the external port needs to be converted to a different port number used by the server on the LAN side. A maximum of 32 entries can be configured.

Select the service name, and enter the server IP address and click "Apply" to forward IP packets for this service to the specified server. **NOTE: The "Internal Port End" cannot be changed. It is the same as "External Port End" normally and will be the same as the "Internal Port Start" or "External Port End" if either one is modified.**

PORT FORWARDING SETUP

Server Name	External Port		Protocol	Internal Port		Server IP Address	Use Interface	Schedule Rule
	Start	End		Start	End			

[Add](#)

Click **Add** to add a virtual server.



PORT FORWARDING SETUP

Remaining number of entries that can be configured: 32

Use Interface : pppoe_0_8_35/ppp0 ▾

Select a Service : (Click to Select) ▾

Custom Server :

Schedule : Always ▾ [View Available Schedules](#)

Server IP Address :

External Port Start	External Port End	Protocol	Internal Port Start	Internal Port End
<input type="text"/>	<input type="text"/>	TCP ▾	<input type="text"/>	<input type="text"/>
<input type="text"/>	<input type="text"/>	TCP ▾	<input type="text"/>	<input type="text"/>
<input type="text"/>	<input type="text"/>	TCP ▾	<input type="text"/>	<input type="text"/>
<input type="text"/>	<input type="text"/>	TCP ▾	<input type="text"/>	<input type="text"/>
<input type="text"/>	<input type="text"/>	TCP ▾	<input type="text"/>	<input type="text"/>
<input type="text"/>	<input type="text"/>	TCP ▾	<input type="text"/>	<input type="text"/>
<input type="text"/>	<input type="text"/>	TCP ▾	<input type="text"/>	<input type="text"/>
<input type="text"/>	<input type="text"/>	TCP ▾	<input type="text"/>	<input type="text"/>
<input type="text"/>	<input type="text"/>	TCP ▾	<input type="text"/>	<input type="text"/>
<input type="text"/>	<input type="text"/>	TCP ▾	<input type="text"/>	<input type="text"/>
<input type="text"/>	<input type="text"/>	TCP ▾	<input type="text"/>	<input type="text"/>
<input type="text"/>	<input type="text"/>	TCP ▾	<input type="text"/>	<input type="text"/>
<input type="text"/>	<input type="text"/>	TCP ▾	<input type="text"/>	<input type="text"/>
<input type="text"/>	<input type="text"/>	TCP ▾	<input type="text"/>	<input type="text"/>
<input type="text"/>	<input type="text"/>	TCP ▾	<input type="text"/>	<input type="text"/>

Apply

Cancel

Select a service for a preset application, or enter a name in the **Custom Server** field.

Enter an IP address in the **Server IP Address** field, to appoint the corresponding PC to receive forwarded packets.

The Ports show the ports that you want to open on the device. The **TCP/UDP** means the protocol type used for the opened ports.



Click **Apply** to save the settings. The page shown in the following figure appears. A virtual server is added.

PORT FORWARDING SETUP									
	Server Name	External Port		Protocol	Internal Port		Server IP Address	Use Interface	Schedule Rule
		Start	End		Start	End			
<input type="checkbox"/>	AUTH	113	113	TCP	113	113	10.0.0.78	ppp0	Always

4.3.3 Port Triggering

Some applications require that specific ports in the firewall of the device are open for remote parties to gain access. Application rules dynamically open the firewall ports when an application on the LAN initiates a TCP/UDP connection to a remote party using the trigger ports. The device allows the remote party from the WAN side to establish new connections back to the application on the LAN side using the firewall ports. A maximum of 32 entries can be configured.

Choose **ADVANCED > Port Triggering**. The page shown in the following figure appears.



PORT TRIGGERING

Some applications require that specific ports in the Router's firewall be opened for access by the remote parties. Port Trigger dynamically opens up the "Open Ports" in the firewall when an application on the LAN initiates a TCP/UDP connection to a remote party using the "Triggering Ports". The Router allows the remote party from the WAN side to establish new connections back to the application on the LAN side using the "Open Ports".

Some applications such as games, video conferencing, remote access applications and others require that specific ports in the Router's firewall be opened for access by the applications. You can configure the port settings from this screen by selecting an existing application or creating your own (Custom application) and click "Apply" to add it.

A maximum of 32 entries can be configured.

PORT TRIGGERING

Application		Trigger		Open			Use Interface	Schedule Rule
Name	Protocol	Port Range		Protocol	Port Range			
		Start	End		Start	End		

Add

Click **Add** to add a new Port Trigger.



PORT TRIGGERING

Remaining number of entries that can be configured :32

Use Interface :

Application Name :

Select an application :

Custom application :

Schedule : [View Available Schedules](#)

Trigger Port Start	Trigger Port End	Trigger Protocol	Open Port Start	Open Port End	Open Protocol
<input type="text"/>	<input type="text"/>	TCP	<input type="text"/>	<input type="text"/>	TCP
<input type="text"/>	<input type="text"/>	TCP	<input type="text"/>	<input type="text"/>	TCP
<input type="text"/>	<input type="text"/>	TCP	<input type="text"/>	<input type="text"/>	TCP
<input type="text"/>	<input type="text"/>	TCP	<input type="text"/>	<input type="text"/>	TCP
<input type="text"/>	<input type="text"/>	TCP	<input type="text"/>	<input type="text"/>	TCP
<input type="text"/>	<input type="text"/>	TCP	<input type="text"/>	<input type="text"/>	TCP
<input type="text"/>	<input type="text"/>	TCP	<input type="text"/>	<input type="text"/>	TCP
<input type="text"/>	<input type="text"/>	TCP	<input type="text"/>	<input type="text"/>	TCP

Click the **Select an application** drop-down menu to choose the application you want to setup for port triggering. When you have chosen an application the default Trigger settings will populate the table below.

If the application you want to setup isn't listed, click the **Custom application** radio button and type in a name for the trigger in the Custom application field. Configure the **Trigger Port Start**, **Trigger Port End**, **Trigger Protocol**, **Open Port Start**, **Open Port End** and **Open Protocol** settings for the port trigger you want to configure.

When you have finished click the **Apply** button.

4.3.4 DMZ

Since some applications are not compatible with NAT, the device supports the use of a DMZ IP address for a single host on the LAN. This IP address is not protected by NAT and it is visible to agents on the Internet with the correct type of software.



Note that any client PC in the DMZ is exposed to various types of security risks. If you use the DMZ, take measures (such as client-based virus protection) to protect the remaining client PCs on your LAN from possible contamination through DMZ. Choose **ADVANCED** > **DMZ**. The page shown in the following figure appears.

DMZ

The DSL Router will forward IP packets from the WAN that do not belong to any of the applications configured in the Port Forwarding table to the DMZ host computer.

Enter the computer's IP address and click "Apply" to activate the DMZ host.

Clear the IP address field and click "Apply" to deactivate the DMZ host.

DMZ HOST

DMZ Host IP Address :

Click **Apply** to save the settings.

4.3.5 Parental Control

Choose **ADVANCED** > **Parental Control**. The **Parent Control** page shown in the following figure appears.

PARENTAL CONTROL -- BLOCK WEBSITE

Uses URL (i.e. www.yahoo.com) to implement filtering.

PARENTAL CONTROL -- BLOCK MAC ADDRESS

Uses MAC address to implement filtering.

This page provides two useful tools for restricting Internet access. **Block Websites** allows you to quickly create a list of all websites that you wish to stop users from accessing. **Block MAC Address** allows you to control when clients or PCs connected to the device are allowed to access the Internet.



4.3.5.1 Block Website

In the **Parent Control** page, click **Block Website**. The page shown in the following figure appears.

BLOCK WEBSITE

This page allows you to block websites. If enabled, the websites listed here will be denied access to clients trying to browse that website.
Choose "Add", "Edit", or "Delete" to configure block websites.

URL	Schedule Rule
-----	---------------

Click **Add**. The page shown in the following page appears.

BLOCK WEBSITE

URL :

Schedule : [View Available Schedules](#)

Manual Schedule :

Day(s) : All Week Select Day(s)

Sun Mon Tue Wed
 Thu Fri Sat

All Day - 24 hrs :

Start Time : : (hour:minute, 24 hour time)

End Time : : (hour:minute, 24 hour time)

Enter the website in the **URL** field. Select the **Schedule** from the drop-down list, or select **Manual Schedule** and select the corresponding time and days.

Click **Apply** to add the website to the **BLOCK WEBSITE** table. The page shown in the following figure appears.



SETUP	ADVANCED	MAINTENANCE	STATUS
BLOCK WEBSITE			
<p>This page allows you to block websites. If enabled, the websites listed here will be denied access to clients trying to browse that website. Choose "Add", "Edit", or "Delete" to configure block websites.</p>			
BLOCK WEBSITE			
	URL	Schedule Rule	
<input type="checkbox"/>	www.yahoo.com	Mon, Tue, Wed, Thu, Fri, Sat, Sun Time:0:0-23:59	
<input type="button" value="Add"/> <input type="button" value="Edit"/> <input type="button" value="Delete"/>			

4.3.5.2 Block MAC Address

In the **Parent Control** page, click **Block MAC Address**. The page shown in the following figure appears.

BLOCK MAC ADDRESS		
<p>Time of Day Restrictions -- A maximum of 16 entries can be configured</p> <p>This page adds a time of day restriction to a special LAN device connected to the router. The "Current PC's MAC Address" automatically displays the MAC address of the LAN device where the browser is running. To restrict another LAN device, click the "Other MAC Address" button and enter the MAC address of the other LAN device. To find out the MAC address of a Windows-based PC, open a command prompt window and type "ipconfig /all".</p>		
BLOCK MAC ADDRESS		
	Username	MAC
		Schedule
<input type="button" value="Add"/>		

Click **Add**. The page shown in the following figure appears.



TIME OF DAY RESTRICTION

User Name :

Current PC's MAC Address :

Other MAC Address : (xx:xx:xx:xx:xx:xx)

Manual Schedule :

Day(s) : All Week Select Day(s)

Sun Mon Tue Wed

Thu Fri Sat

All Day - 24 hrs :

Start Time : : (hour:minute, 24 hour time)

End Time : : (hour:minute, 24 hour time)

Enter the user name and MAC address and select the corresponding time and days.

Click **Apply** to add the MAC address to the **BLOCK MAC ADDRESS** table. The page shown in the following figure appears.



SETUP

ADVANCED

MAINTENANCE

STATUS

BLOCK MAC ADDRESS

Time of Day Restrictions -- A maximum of 16 entries can be configured

This page adds a time of day restriction to a special LAN device connected to the router. The "Current PC's MAC Address" automatically displays the MAC address of the LAN device where the browser is running. To restrict another LAN device, click the "Other MAC Address" button and enter the MAC address of the other LAN device. To find out the MAC address of a Windows-based PC, open a command prompt window and type "ipconfig /all".

BLOCK MAC ADDRESS

	Username	MAC	Schedule
<input type="checkbox"/>	aa	00:19:ED:28:EE:D4	Mon,Tue,Wed,Thu,Fri,Sat,Sun Time:0:0 - 23:59

Add

Edit

Delete

4.3.6 Filtering Options

Choose **ADVANCED > Filtering Options**. The **Filtering Options** page shown in the following figure appears.

FILTERING OPTIONS -- INBOUND IP FILTERING

Manage incoming traffic.

FILTERING OPTIONS -- OUTBOUND IP FILTERING

Manage outgoing traffic.

FILTERING OPTIONS -- BRIDGE FILTERING

Uses MAC address to implement filtering. Usefull only in bridge mode.



4.3.6.1 Inbound IP Filtering

In the **Filtering Options** page, click **Inbound IP Filtering**. The page shown in the following figure appears.

INCOMING IP FILTERING

The screen allows you to create a filter rule to identify incoming IP traffic by specifying a new filter name and at least one condition below. All of the specified conditions in this filter rule must be satisfied for the rule to take effect. Click "Apply" to save and activate the filter.

By default, all incoming IP traffic from WAN is blocked when the firewall is enabled, but some IP traffic can be **ACCEPTED** by setting up filters.

ACTIVE INBOUND FILTER

Name	Interface	Protocol	Source Address	Source Port	Dest. Address	Dest. Port	Schedule Rule
------	-----------	----------	----------------	-------------	---------------	------------	---------------

Add

Click **Add** to add an inbound IP filter. The page shown in the following figure appears.



INCOMING IP FILTERING

Filter Name :	<input type="text"/>
Protocol :	Any <input type="button" value="v"/>
Source IP Type :	Any <input type="button" value="v"/>
Source IP Address :	<input type="text"/>
Source Subnet Mask :	<input type="text"/>
Source Port Type :	Any <input type="button" value="v"/>
Source Port :	<input type="text"/> (port or port:port)
Destination IP Type :	Any <input type="button" value="v"/>
Destination IP Address :	<input type="text"/>
Destination Subnet Mask :	<input type="text"/>
Destination Port Type :	Any <input type="button" value="v"/>
Destination Port :	<input type="text"/> (port or port:port)
Schedule :	Always <input type="button" value="v"/> View Available Schedules

WAN Interfaces (Configured in Routing mode and with firewall enabled only)
Select at least one or multiple WAN interfaces displayed below to apply this rule.

Select All

mer_0_0_35/atm0

br0/br0

Enter the **Filter Name** and specify at least one of the following criteria: protocol, source/destination IP address, subnet mask, and source/destination port. Click **Apply** to save the settings.

Note:

The settings are only applied when the firewall is enabled.

The **ACTIVE INBOUND FILTER** shows detailed information about each created inbound IP filter.



4.3.6.2 Outbound IP Filtering

By default, all outgoing IP traffic from the LAN is allowed. The outbound filter allows you to create a filter rule to block outgoing IP traffic by specifying a filter name and at least one condition.

In the **Filtering Options** page, click **Outbound IP Filtering**. The page shown in the following figure appears.

OUTGOING IP FILTERING

This screen allows you to create a filter rule to identify outgoing IP traffic by specifying a new filter name and at least one condition below. All of the specified conditions in this filter rule must be satisfied for the rule to take effect. Click "Apply" to save and activate the filter.

WARNING : Changing from one global policy to another will cause all defined rules to be REMOVED AUTOMATICALLY! You will need to create new rules for the new policy.

By default, all outgoing IP traffic from LAN is allowed, but some IP traffic can be **BLOCKED** by setting up filters.

ACTIVE OUTGOING IP FILTER

Name	Protocol	Source Address	Source Port	Dest. Address	Dest. Port	Schedule Rule
------	----------	----------------	-------------	---------------	------------	---------------

Click **Add** to add an outbound IP filter. The page shown in the following figure appears.

**OUTGOING IP FILTERING**

Filter Name :	<input type="text"/>
Protocol :	Any <input type="button" value="v"/>
Source IP Type :	Any <input type="button" value="v"/>
Source IP Address :	<input type="text"/>
Source Subnet Mask :	<input type="text"/>
Source Port Type :	Any <input type="button" value="v"/>
Source Port :	<input type="text"/> (port or port:port)
Destination IP Type :	Any <input type="button" value="v"/>
Destination IP Address :	<input type="text"/>
Destination Subnet Mask :	<input type="text"/>
Destination Port Type :	Any <input type="button" value="v"/>
Destination Port :	<input type="text"/> (port or port:port)
Schedule :	Always <input type="button" value="v"/> View Available Schedules

Enter the **Filter Name** and specify at least one of the following criteria: protocol, source/destination IP address, subnet mask, and source/destination port. Click **Apply** to save the settings.

The **ACTIVE OUTGOING IP FILTER** shows detailed information about each created outbound IP filter.

4.3.6.3 Bridge Filtering

In the **Filtering Options** page, click **Bridge Filtering**. The page shown in the following figure appears. This page is used to configure bridge parameters. In this page, you can change the settings or view some information of the bridge and its attached ports.

**BRIDGE FILTERING**

Bridge Filtering is only effective on ATM PVCs configured in Bridge mode. **ALLOW** means that all MAC layer frames will be **ALLOWED** except those matching with any of the specified rules in the following table. **DENY** means that all MAC layer frames will be **DENIED** except those matching with any of the specified rules in the following table.

Create a filter to identify the MAC layer frames by specifying at least one condition below. If multiple conditions are specified, all of them take effect. Click "Apply" to save and activate the filter.

WARNING : Changing from one global policy to another will cause all defined rules to be REMOVED AUTOMATICALLY! You will need to create new rules for the new policy.

Bridge Filtering Global Policy:

- ALLOW** all packets but **DENY** those matching any of specific rules listed
- DENY** all packets but **ALLOW** those matching any of specific rules listed

Apply

Cancel

BRIDGE FILTER SETUP

Service Name	Protocol	Destination MAC	Source MAC	Frame Direction	Schedule Rule
--------------	----------	-----------------	------------	-----------------	---------------

Add

Click **Add** to add a bridge filter. The page shown in the following figure appears.



ADD BRIDGE FILTER

Protocol Type : (Click to Select) ▼

Destination MAC Address :

Source MAC Address :

Frame Direction : LAN<=>WAN ▼

Schedule : Always ▼ [View Available Schedules](#)

WAN Interfaces (Configured in Bridge mode only)

Select All

br_0_0_32/atm1

Click **Apply** to save the settings.

4.3.7 DNS

Domain Name System (DNS) is an Internet service that translates domain names into IP addresses. Because domain names are alphabetic, they are easier to remember. The Internet, however, is actually based on IP addresses. Each time you use a domain name, a DNS service must translate the name into the corresponding IP address. For example, the domain name `www.example.com` might be translated to `198.105.232.4`.

The DNS system is, in fact, its own network. If one DNS server does not know how to translate a particular domain name, it asks another one, and so on, until the correct IP address is returned.

Choose **ADVANCED > DNS**. The page shown in the following figure appears.



DNS
Click "Apply" button to save and activate the new configuration.

DNS SERVER CONFIGURATION
 Obtain DNS info from a WAN interface:
WAN Interface selected:

Use the following DNS server addresses
Preferred DNS server :
Alternate DNS server :

Figure 8

DNS SERVER CONFIGURATION

If you are using the device for DHCP service on the LAN or if you are using DNS servers on the ISP network, select **Obtain DNS Info from a WAN interface**.

If you have DNS IP addresses provided by your ISP, enter these IP addresses in the available entry fields for the preferred DNS server and the alternate DNS server.

Click **Apply** to save the settings.

4.3.8 Dynamic DNS

The device supports Dynamic Domain Name Service (DDNS). The dynamic DNS service allows a dynamic public IP address to be associated with a static host name in any of the many domains, and allows access to a specified host from various locations on the Internet. Click a hyperlinked URL in the form of hostname.dyndns.org and allow remote access to a host. Many ISPs assign public IP addresses using DHCP, so locating a specific host on the LAN using the standard DNS is difficult. For example, if you are running a public web server or VPN server on your LAN, DDNS ensures that the host can be located from the Internet even if the public IP address changes. DDNS requires that an account be



set up with one of the supported DDNS service providers (DynDNS.org or dlinkddns.com).

Choose **ADVANCED** > **Dynamic DNS**. The page shown in the following page appears.

DYNAMIC DNS

The Dynamic DNS feature allows you to host a server (Web, FTP, Game Server, etc...) using a domain name that you have purchased (www.whateveryournameis.com) with your dynamically assigned IP address. Most broadband Internet Service Providers assign dynamic (changing) IP addresses. Using a DDNS service provider, your friends can enter your host name to connect to your game server no matter what your IP address is.

[Sign up for D-Link's Free DDNS service at www.DLinkDDNS.com](http://www.DLinkDDNS.com)

DYNAMIC DNS

Click **Add** to add dynamic DNS. The page shown in the following figure appears.

ADD DYNAMIC DNS

DDNS provider :

Hostname :

Interface :

Username :

Password :

- **DDNS provider:** Select one of the DDNS registration organizations from the down-list drop.



DDNS provider :
dlinkddns.com(Free)
DynDNS.org(Custom)
DynDNS.org(Free)
DynDNS.org(Static)

- **Host Name:** Enter the host name that you registered with your DDNS service provider.
- **Interface:** Select the interface you want to use.
- **Username:** Enter the username for your DDNS account.
- **Password:** Enter the password for your DDNS account.

Click **Apply** to save the settings.

4.3.9 Storage Service

Choose **ADVANCED > Storage Service**. The **Storage Service** page shown in the following figure appears.

STORAGE SERVICE -- STORAGE DEVICE INFO
Show Storage Device Info.

NETWORK TOOLS -- STORAGE USER ACCOUNT CONFIGURATION
Config storage user account.

4.3.9.1 Storage Device Info

In the **Storage Service** page, click **Storage Device Info**. The page shown in the following figure appears.



STORAGE DEVICE INFORMATION

The Storage service allows you to use Storage devices with modem to be more easily accessed.

STORAGE DEVICE INFORMATION

Volumename	FileSystem	Total Space	Used Space
usb1_1	fat	122	0

Figure 9

When you insert a USB storage device, this page will show the information of the USB storage device, such as file system, total space, and used space.

4.3.9.2 User Accounts

In the **Storage Service** page, click **Storage User Account**. The page shown in the following figure appears.

STORAGE USERACCOUNT CONFIGURATION

Choose Add, or Remove to configure User Accounts.

STORAGE USERACCOUNT

UserName	HomeDir	Remove

Add Remove

Click **Add** to add a user. The page shown in the following figure appears.

ADD STORAGE USERACCOUNT

Username:

Password:

Confirm Password:

volumeName:

Apply Cancel

- **Username:** Set a valid username that will access the CPE's samba server



- **Password:** Specify the user's password
- **Confirm Password:** Re-enter the user's password
- **volumeName:** The name of the directory you want to share

4.3.10 Multicast

Choose **ADVANCED** > **Multicast**. The page shown in the following figure appears.

MULTICAST CONFIGURATION	
Enter IGMP protocol configuration fields if you want modify default values shown below.	
MULTICAST CONFIGURATION	
Default Version:	<input type="text" value="3"/>
Query Interval (s):	<input type="text" value="125"/>
Query Response Interval (1/10s):	<input type="text" value="100"/>
Last Member Query Interval (1/10s):	<input type="text" value="10"/>
Robustness Value:	<input type="text" value="2"/>
Maximum Multicast Groups:	<input type="text" value="25"/>
Maximum Multicast Data Sources (for IGMPv3):	<input type="text" value="10"/>
Maximum Multicast Group Members:	<input type="text" value="25"/>
Fast Leave Enable:	<input checked="" type="checkbox"/>
LAN to LAN (Intra LAN) Multicast Enable:	<input checked="" type="checkbox"/>

Figure 10

- **Default Version:** IGMP version
- **Query Interval(s):** The query interval is the amount of time in seconds between IGMP General Query messages sent by the router (if the router is querying on this subnet)
- **Query Response Interval (1/10s):** The query response interval is the maximum amount of time in seconds that the IGMP router waits to receive a response to a General Query message. The query response interval is the Maximum Response Time field in the IGMP v2 Host Membership Query



message header. The default query response interval is 10 seconds and must be less than the query interval

- **Last Member Query Interval (1/10s):** The last member query interval is the amount of time in seconds that the IGMP router waits to receive a response to a Group-Specific Query message. The last member query interval is also the amount of time in seconds between successive Group-Specific Query messages.
- **Robustness Value:** The robustness variable is a way of indicating how susceptible the subnet is to lost packets. IGMP can recover from robustness variable minus 1 lost IGMP packets.
- **Maximum Multicast Groups:** Max multicast groups
- **Maximum Multicast Data Sources (for IGMPv3):** max group data sources that want to receive.
- **Maximum Multicast Group Members:** Max member in one group
- **Fast Leave Enable:** Enable or disable fast leave feature.
- **LAN to LAN (Intra LAN) Multicast Enable:** Enable or disable LAN to LAN multicast.

4.3.11 Network Tools

Choose **ADVANCED > Network Tools**. The page shown in the following figure appears.

**NETWORK TOOLS -- PORT MAPPING**

Port Mapping supports multiple port to PVC and bridging groups. Each group will perform as an independent network.

[Port Mapping](#)**NETWORK TOOLS -- IGMP**

Transmission of identical content, such as multimedia, from a source to a number of recipients.

[IGMP](#)**NETWORK TOOLS -- QUALITY OF SERVICE**

Allows you to enable or disable QoS function.

[Quality of Service](#)**NETWORK TOOLS -- QUEUE CONFIG**

Allows you to add Classification Queue precedence for QoS.

[Queue Config](#)**NETWORK TOOLS -- QoS CLASSIFICATION**

Allows you to edit configure different priority to different interfaces.

[QoS Classification](#)**NETWORK TOOLS -- UPnP**

Allows you to enable or disable UPnP.

[UPnP](#)

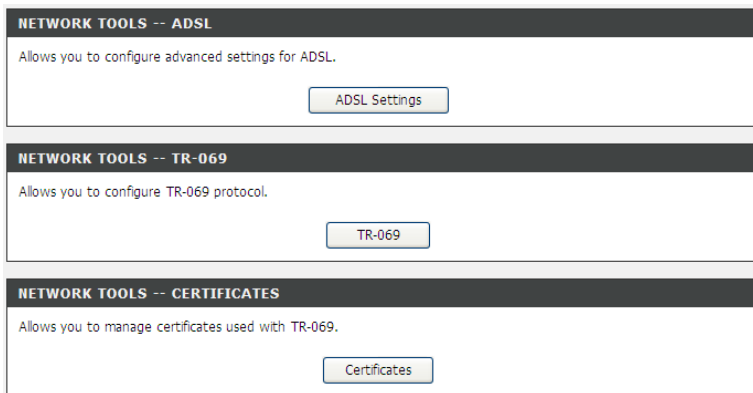


Figure 11

4.3.11.1 Port Mapping

Choose **ADVANCED** > **Network Tools** and click **Port Mapping**. The page shown in the following figure appears. In this page, you can bind the WAN interface and the LAN interface to the same group.

**PORT MAPPING**

Port Mapping -- A maximum **16** entries can be configured

Interface Grouping supports multiple ports to PVC and bridging groups. Each group will perform as an independent network. To support this feature, you must create mapping groups with appropriate LAN and WAN interfaces using the Add button. The Remove button will remove the grouping and add the ungrouped interfaces to the Default group. Only the default group has IP interface.

PORT MAPPING SETUP

Group Name	Remove	WAN Interface	LAN Interfaces	DHCP Vendor IDs
Default		ppp0	eth0	
		ppp3g0	eth1	
			eth2	
			eth3	
			wlan0	
			wl0_Guest1	
			wl0_Guest2	
			wl0_Guest3	

Click **Add** to add port mapping. The page shown in the following figure appears.

**ADD PORT MAPPING**

To create a new interface group:

1. Enter the Group name and the group name must be unique and select either 2. (dynamic) or 3. (static) below:
2. If you like to automatically add LAN clients to a WAN Interface in the new group add the DHCP vendor ID string. By configuring a DHCP vendor ID string any DHCP client request with the specified vendor ID (DHCP option 60) will be denied an IP address from the local DHCP server.
3. Select interfaces from the available interface list and add it to the grouped interface list using the arrow buttons to create the required mapping of the ports. Note that these clients may obtain public IP addresses
4. Click Save/Apply button to make the changes effective immediately

IMPORTANT If a vendor ID is configured for a specific client device, please **REBOOT** the client device attached to the modem to allow it to obtain an appropriate IP address.

Group Name:

WAN Interface used in the grouping

Grouped LAN Interfaces**Available LAN Interfaces**

eth0
eth1
eth2
eth3
wlan0
w10_Guest1
w10_Guest2
w10_Guest3

**Automatically Add
Clients With the
following DHCP Vendor
IDs**

The procedure for creating a mapping group is as follows:



- Step 1** Enter the group name.
- Step 2** Select the WAN interface for your new group.
- Step 3** Select the LAN interfaces from the **Available Interface** list and click the <- arrow button to add them to the grouped interface list, in order to create the required mapping of the ports. The group name must be unique.
- Step 4** Enter the optional information of DHCP vendor IDs.
- Step 5** Click **Apply** to save the settings.

4.3.11.2 IGMP

Choose **ADVANCED** > **Network Tools** and click **IGMP**. The page shown in the following figure appears. When enable IGMP Snooping, the multicast data transmits through the specific LAN port which has received the request report.

IGMP

Transmission of identical content, such as multimedia, from a source to a number of recipients.

IGMP SETUP

Enable IGMP Snooping

Apply Cancel

4.3.11.3 Quality of Service

Choose **ADVANCED** > **Network Tools** and click **Quality of Service**. The page shown in the following figure appears.



QoS -- QUEUE MANAGEMENT CONFIGURATION

If Enable QoS checkbox is selected, choose a default DSCP mark to automatically mark incoming traffic without reference to a particular classifier. Click 'Save/Apply' button to save it.

Note: If Enable QoS checkbox is not selected, all QoS will be disabled for all interfaces.

Note: The default DSCP mark is used to mark all egress packets that do not match any classification rules.

QoS SETUP

Enable QoS

Save/Apply

Cancel

In this page, you can enable/disable the QoS. Click **Save/Apply** to take the setting effect.

4.3.11.4 Queue Config

Choose **ADVANCED > Network Tools** and click **Queue Config**. The page shown in the following figure appears.

QUEUE CONFIG

QoS Queue Setup -- A maximum 16 entries can be configured.

If you disable WMM function in Wireless Page, queues related to wireless will not take effects. SP and WFQ can not be enabled at the same time.

The QoS function has been disabled. Queues would not take effects.

QUEUE CONFIG LIST

Name	Key	Interface	Precedence	Algorithm	QueueWeight	Enable	Remove
Default Queue	33	atm0	8	SP		<input type="checkbox"/>	

Add

Enable

Remove

Click **Add**. The page shown in the following figure appears.



QOS QUEUE CONFIGURATION

This screen allows you to configure a QoS queue and assign it to a specific layer2 interface. The scheduler algorithm is defined by the layer2 interface. Click 'Save/Apply' to save and activate the queue.

Note: For SP scheduling, queues assigned to the same layer2 interface shall have unique precedence. Lower precedence value implies higher priority for this queue relative to others.

ADD QUEUE CONFIG

Queue Name:

Enable:

Interface:

Precedence:

Queue Weight: [1-63]

Click **Save/Apply** to save the settings.

4.3.11.5 QoS Classification

Choose **ADVANCED > Network Tools**, and click **QoS Classification**, the page shown in the following figure appears. This page allows you to config various classification.

QOS CLASSIFICATION

QoS Classification Setup -- A maximum 32 entries can be configured.

Choose Add or Remove to configure network traffic classes.
If you disable WMM function in Wireless Page, classification related to wireless will not take effects.

The QoS function has been disabled. Classification rules would not take effects.

QOS CLASSIFICATION SETUP

		CLASSIFICATION CRITERIA					CLASSIFICATION RESULTS						
Class Name	Order	Class Intf	Ether Type	Proto	DSCP Check	802.1P Check	Queue Key	DSCP Mark	802.1P Mark	VlanID Tag	Rate Control (kbps)	Enable	Remove

Click **Add**. The page shown in the following figure appears.

**QUALITY OF SERVICE****Add Network Traffic Class Rule**

The screen creates a traffic class rule to classify the upstream traffic, assign queue which defines the precedence and the interface and optionally overwrite the IP header DSCP byte. A rule consists of a class name and at least one condition below. All of the specified conditions in this classification rule must be satisfied for the rule to take effect. Click 'Save/Apply' to save and activate the rule.

NETWORK TRAFFIC CLASS RULE

Traffic Class Name:
Rule Order: Last
Rule Status: Disable

SPECIFY CLASSIFICATION CRITERIA

A blank criterion indicates it is not used for classification.

Class Interface: LAN
Ether Type:
Fixed Ether Type: IP (0x800)
Source MAC Address:
Source MAC Mask:
Destination MAC Address:
Destination MAC Mask:
Source IP Address[/Mask]:
Destination IP Address[/Mask]:
Differentiated Service Code Point (DSCP) Check:
Protocol:
IPv6 Protocol:
UDP/TCP Source Port (port or port:port):
UDP/TCP Destination Port (port or port:port):
802.1p Priority Check:

SPECIFY CLASSIFICATION RESULTS

Must select a classification queue. A blank mark or tag value means no change.

Assign Classification Queue:
Mark Differentiated Service Code Point (DSCP):
Mark 802.1p priority:
Tag VLAN ID [0-4094]:
Set Rate Control(kbps):



Figure 12

4.3.11.6 UPnP

Choose **ADVANCED** > **Network Tools** and click **UPnP**. The page shown in the following figure appears.

UPNP

Universal Plug and Play (UPnP) supports peer-to-peer Plug and Play functionality for network devices.

UPNP SETUP

Enable UPnP

Apply Cancel

In this page, you can configure Universal Plug and Play (UPnP). The system acts as a daemon after you enable UPnP.

UPnP is used for popular audio visual software. It allows automatic discovery of your device in the network. If you are concerned about UPnP security, you can disable it. Block ICMP ping should be enabled so that the device does not respond to malicious Internet requests.

Click **Apply** to save the settings.

4.3.11.7 ADSL

Choose **ADVANCED** > **Network Tools** and click **ADSL Settings**. The page shown in the following figure appears.



ADSL

This page allows you to configure the modem's ADSL modulation.

Select the modulation below.

ADSL SETTINGS

- G.Dmt Enabled
- G.Lite Enabled
- T1.413 Enabled
- ADSL2 Enabled
- AnnexL Enabled
- ADSL2+ Enabled
- AnnexM Enabled

Capability

- Bitswap Enable
- SRA Enable

In this page, you can select the DSL modulation. Normally, you can keep the factory default setting. The device negotiates the modulation mode with the DSLAM.

Click **Apply** to save the settings.

4.3.11.8 PktFlow

Choose **ADVANCED > Network Tools** and click **PktFlow**. The page shown in the following figure appears.



PKTFLOW CONTROL

This function can be accelerated wireless.If enabling this function, block web site will fail.

Enable pktflow control

Apply

4.3.11.9 TR-069

Choose **ADVANCED** > **Network Tools** and click **TR-069**. The page shown in the following figure appears. In this page, you can configure the TR-069 CPE.

Warning! Changing these settings will prevent Telkom from offering you remote support. It is recommended that these settings are not changed.

TR-069

WAN Management Protocol (TR-069) allows a Auto-Configuration Server (ACS) to perform auto-configuration, provision, collection, and diagnostics to this device.

Select the desired values and click "Apply" to configure the TR-069 client options.

TR-069 CLIENT -- CONFIGURATION

Inform Disable Enable

Inform Interval:

ACS URL:

ACS User Name:

ACS Password:

Connection Request Authentication

Connection Request User Name:

Connection Request Password:

GetRPCMethods Apply Cancel

Figure 13

WAN Management Protocol (TR-069) allows an Auto-Configuration Server (ACS) to perform auto-configuration, provision, collection, and diagnostics to this device.



In this page, you may configure the parameters such as the ACS URL, ACS password, and connection request user name.

After finishing setting, click **Apply** to save and apply the settings.

4.3.11.10 Certificates

Choose **ADVANCED > Network Tools** and click **Certificates**. The **Certificates** page shown in the following figure appears. In this page, you can configure local certificate and trusted certificate.

The screenshot displays two sections of the Certificates configuration page. The first section is titled "CERTIFICATES -- LOCAL" and contains the text "Local certificates are used by peers to verify your identity." Below this text is a button labeled "Local Cert". The second section is titled "CERTIFICATES -- TRUSTED CA" and contains the text "Trusted CA certificates are used by you to verify peers' certificates." Below this text is a button labeled "Trusted CA".

4.3.12 Routing

Choose **ADVANCED > Routing**. The page shown in the following figure appears.

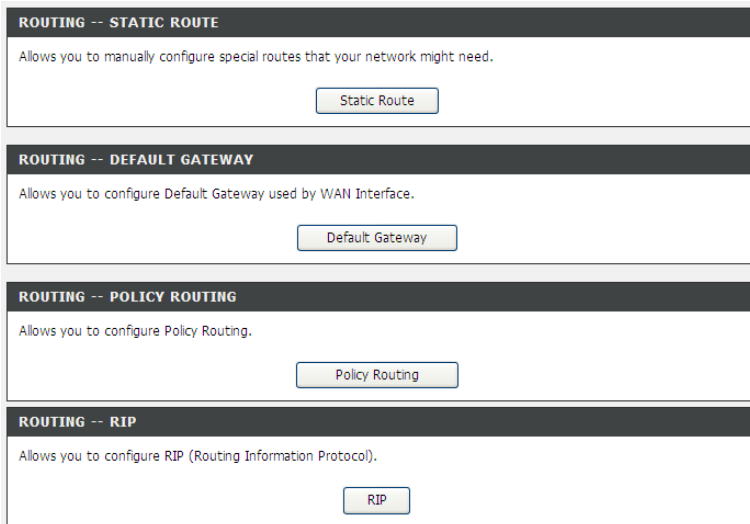
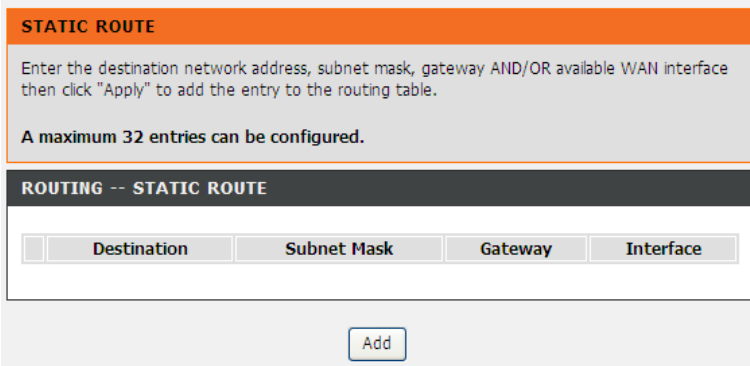


Figure 14

4.3.12.1 Static Route

Choose **ADVANCED** > **Routing** and click **Static Route**. The page shown in the following figure appears. This page is used to configure the routing information. In this page, you can add or delete IP routes.



Click **Add** to add a static route. The page shown in the following figure appears.



STATIC ROUTE ADD

Destination Network Address :

Subnet Mask :

Use Gateway IP Address :

Use Interface :

- **Destination Network Address:** The destination IP address of the router.
- **Subnet Mask:** The subnet mask of the destination IP address.
- **Use Gateway IP Address:** The gateway IP address of the router.
- **Use Interface:** The interface name of the router output port.

You can click **Use Gateway IP Address** or **Use Interface**.

Click **Apply** to save the settings.

4.3.12.2 Default Gateway

Choose **ADVANCED > Routing** and click **Default Gateway**. The page shown in the following figure appears.

DEFAULT GATEWAY

This router will accept the first received default gateway assignment from one of the PPPoA, PPPoE or MER/DHCP enabled PVC(s). Click "Apply" button to save it.

DEFAULT GATEWAY

IPv4 Gateway Setting

Select a preferred wan interface as the system default IPv4 gateway.

Selected WAN Interface :

Select the WAN interface as your default gateway. Click **Apply** to save the settings.



4.3.12.3 Policy Routing

Choose **ADVANCED** > **Routing** and click **policy Routing**. The page shown in the following figure appears.

The policy route binds one WAN connection and one LAN interface.

Policy Name	Source IP	LAN Port	WAN	Default GW
-------------	-----------	----------	-----	------------

Click **Add**, the page shown in the following figure appears.

POLICY ROUTING SETUP

Enter the policy name, policies, and WAN interface then click "Save/Apply" to add the entry to the policy routing table.

Note: If selected "MER" as WAN interface, default gateway must be configured.

Policy Name:

Physical LAN Port:

Source IP:

Use Interface

Default Gateway:

4.3.12.4 RIP

Choose **ADVANCED** > **Routing** and click **RIP**. The page shown in the following figure appears. This page is used to select the interfaces on your device that use RIP and the version of the protocol used.



RIP CONFIGURATION

To activate RIP for the WAN Interface, select the desired RIP version and operation and place a check in the 'Enabled' checkbox. To stop RIP on the WAN Interface, uncheck the 'Enabled' checkbox. Click the 'Apply' button to start/stop RIP and save the configuration.

NOTE: RIP CANNOT BE CONFIGURED on the WAN interface which has NAT enabled(such as IPOA, MER), and it only support IPOA, MER.

RIP CONFIGURATION

Interface	Version	Operation	Enabled
atm1	2 v	Passive v	<input type="checkbox"/>

Figure 15

If you are using this device as a RIP-enabled device to communicate with others using the routing information protocol, enable RIP and click **Apply** to save the settings.

4.3.13 Schedules

Choose **ADVANCED** > **Schedules**. The page shown in the following figure appears.

SCHEDULES

Schedule allows you to create scheduling rules to be applied for your firewall.

Maximum number of schedule rules: 20

SCHEDULE RULES

Rule Name	Sun	Mon	Tue	Wed	Thu	Fri	Sat	Start Time	Stop Time

Click **Add** to add schedule rule. The page shown in the following figure appears.



ADD SCHEDULE RULE

Name :

Day(s) : All Week Select Day(s)

Sun Mon Tue Wed Thu Fri Sat

All Day - 24 hrs :

Start Time : : (hour:minute, 24 hour time)

End Time : : (hour:minute, 24 hour time)

Click **Apply** to save the settings.

4.3.14 Logout

Choose **ADVANCED** > **Logout**. The page shown in the following figure appears. In this page, you can log out of the configuration page.

LOGOUT

Logging out will close the browser.

4.4 Maintenance

4.4.1 System

Choose **MAINTENANCE** > **System**. The **System** page shown in the following figure appears.



DSL-2750U	SETUP	ADVANCED	MAINTENANCE	STATUS
System	SYSTEM -- REBOOT			
Firmware Update	Click the button below to reboot the router.			
Access Controls	<input type="button" value="Reboot"/>			
Diagnostics	SYSTEM -- BACKUP SETTINGS			
System Log	Back up DSL Router configurations. You may save your router configurations to a file on your PC. <i>Note: Please always save configuration file first before viewing it.</i>			
Logout	<input type="button" value="Backup Settings"/>			
	SYSTEM -- UPDATE SETTINGS			
	Update DSL Router settings. You may update your router settings using your saved files.			
	Settings File Name : <input type="text"/> <input <="" td="" type="button" value="Browse..."/>			
	<input type="button" value="Update Settings"/>			
	SYSTEM -- RESTORE DEFAULT SETTINGS			
	Restore DSL Router settings to the factory defaults.			
	<input type="button" value="Restore Default Settings"/>			

In this page, you can reboot the device, back up the current settings to a file, restore the settings from the file saved previously, and restore the factory default settings.

The buttons in this page are described as follows:

- **Reboot:** Reboot the device.
- **Backup Settings:** Save the settings to the local hard drive. Select a location on your computer to back up the file. You can name the configuration file.
- **Update settings:** Click **Browse** to select the configuration file of device and click **Update Settings** to begin restoring the device configuration.
- **Restore Default Settings:** Reset the device to default settings.

Notice: Do not turn off your device or press the **Reset** button while an operation in this page is in progress.



4.4.2 Firmware Update

Choose **MAINTENANCE** > **Firmware Update**. The page shown in the following figure appears. In this page, you can upgrade the firmware of the device.

FIRMWARE UPDATE

Step 1: Obtain an updated firmware image file from your ISP.

Step 2: Enter the path to the image file location in the box below or click the "Browse" button to locate the image file.

Step 3: Click the "Update Firmware" button once to upload the new image file.

NOTE: The update process takes about 2 minutes to complete, and your DSL Router will reboot. Please DO NOT power off your router before the update is complete.

FIRMWARE UPDATE

Current Firmware Version : AF_1.59_T10
Current Firmware Date : Oct 11 2011

Firmware File Name :

The procedure for updating the firmware is as follows:

Step 1 Click **Browse...** to search the file.

Step 2 Click **Update Firmware** to update the configuration file.

The device loads the file and reboots automatically.

Notice: Do not turn off your device or press the reset button while this procedure is in progress.

4.4.3 Access Controls

Choose **MAINTENANCE** > **Access Controls**. The **Access Controls** page shown in the following figure appears. This page contains **Account Password** and **Services**.



ACCESS CONTROLS -- ACCOUNT PASSWORD
Manage DSL Router user accounts.
Account Password

ACCESS CONTROLS -- SERVICES
A Service Control List ("SCL") enables or disables services from being used.
Services

4.4.3.1 Account Password

In the **Access Controls** page, click **Account Password**. The page shown in the following figure appears. In this page, you can change the password of the user and set time for automatic logout.

**ACCOUNT PASSWORD**

Access to your DSL Router is controlled through three user accounts: admin, support, and user.

The user name "support" is used to allow an ISP technician to access your DSL Router for maintenance and to run diagnostics.

The user name "user" can access the DSL Router, view configuration settings and statistics, as well as update the router's firmware.

Use the fields below to enter up to 16 characters and click "Apply" to change or create passwords. Note: Password cannot contain a space.

ADMINISTRATOR SETTINGS

Username :

Current Password :

New Password :

Confirm Password :

WEB IDLE TIME OUT SETTINGS

Web Idle Time Out : (5 ~ 30 minutes)

You should change the default password to secure your network. Ensure that you remember the new password or write it down and keep it in a safe and separate location for future reference. If you forget the password, you need to reset the device to the factory default settings and all configuration settings of the device are lost.

Select the **Username** from the drop-down list. You can select **admin**, **support**, or **user**.

Enter the current and new passwords and confirm the new password, to change the password.

Click **Apply** to apply the settings.



4.4.3.2 Services

In the **Access Controls** page, click **Services**. The page shown in the following figure appears.

SERVICES

A Service Control List ("SCL") enables or disables services from being used.

LOCAL ACCESS CONTROL -- SERVICES

Service	Enable	Source Network	Source Mask	Protocol	Port
HTTP	<input checked="" type="checkbox"/> Enabled	<input type="text" value="0.0.0.0"/>	<input type="text" value="0.0.0.0"/>	TCP	80
TELNET	<input checked="" type="checkbox"/> Enabled	<input type="text" value="0.0.0.0"/>	<input type="text" value="0.0.0.0"/>	TCP	23
SSH	<input type="checkbox"/> Enabled	<input type="text" value="0.0.0.0"/>	<input type="text" value="0.0.0.0"/>	TCP	22
FTP	<input type="checkbox"/> Enabled	<input type="text" value="0.0.0.0"/>	<input type="text" value="0.0.0.0"/>	TCP	21
TFTP	<input type="checkbox"/> Enabled	<input type="text" value="0.0.0.0"/>	<input type="text" value="0.0.0.0"/>	UDP	69
ICMP	<input checked="" type="checkbox"/> Enabled	<input type="text" value="0.0.0.0"/>	<input type="text" value="0.0.0.0"/>	ICMP	0

REMOTE ACCESS CONTROL -- SERVICES

Service	Enable	Source Network	Source Mask	Protocol	Port
HTTP	<input type="checkbox"/> Enabled	<input type="text" value="0.0.0.0"/>	<input type="text" value="0.0.0.0"/>	TCP	<input type="text" value="80"/>
TELNET	<input type="checkbox"/> Enabled	<input type="text" value="0.0.0.0"/>	<input type="text" value="0.0.0.0"/>	TCP	<input type="text" value="23"/>
SSH	<input type="checkbox"/> Enabled	<input type="text" value="0.0.0.0"/>	<input type="text" value="0.0.0.0"/>	TCP	<input type="text" value="22"/>
FTP	<input type="checkbox"/> Enabled	<input type="text" value="0.0.0.0"/>	<input type="text" value="0.0.0.0"/>	TCP	<input type="text" value="21"/>
TFTP	<input type="checkbox"/> Enabled	<input type="text" value="0.0.0.0"/>	<input type="text" value="0.0.0.0"/>	UDP	<input type="text" value="69"/>
ICMP	<input type="checkbox"/> Enabled	<input type="text" value="0.0.0.0"/>	<input type="text" value="0.0.0.0"/>	ICMP	<input type="text" value="0"/>

In this page, you can enable or disable the services that are used by the remote host. For example, if the telnet service is enabled and the port is 23, the remote host can access the device by telnet through port 23. Normally, you don't need to change the settings.



Select the management services that you want to enable or disable on the LAN or WAN interface.

Click **Apply** to apply the settings.

Note:

If you disable HTTP service, you cannot access the configuration page of the device any more.

4.4.4 Diagnostics

Choose **MAINTENANCE > Diagnostic**. The page shown in the following figure appears. In this page, you can test the device.



DIAGNOSTICS

Your modem is capable of testing your DSL connection. The individual tests are listed below. If a test displays a fail status, click "Rerun Diagnostic Tests" at the bottom of this page to make sure the fail status is consistent.

WAN Connection : PPPoE/ppp0 Rerun Diagnostic Tests

TEST THE CONNECTION TO YOUR LOCAL NETWORK

Test your eth0 Connection:	FAIL
Test your eth1 Connection:	FAIL
Test your eth2 Connection:	FAIL
Test your eth3 Connection:	PASS
Test your Wireless Connection:	PASSFAILFAILFAIL

TEST THE CONNECTION TO YOUR DSL SERVICE PROVIDER

Test ADSL Synchronization:	FAIL
Test ATM OAM F5 segment ping:	DISABLED
Test ATM OAM F5 end-to-end ping:	DISABLED

TEST THE CONNECTION TO YOUR INTERNET SERVICE PROVIDER

Ping default gateway:	FAIL
Ping primary Domain Name Server:	FAIL

Test With OAM F5
Test With OAM F4

Figure 16

This page is used to test the connection to your local network, the connection to your DSL service provider, and the connection to your Internet Service Provider. Click **Rerun Diagnostics Test** to run diagnostics.

4.4.5 System Log

Choose **MAINTENANCE > System Log**. The **System Log** page shown in the following figure appears.

**SYSTEM LOG**

If the log mode is enabled, the system will begin to log all the selected events. For the Log Level, all events above or equal to the selected level will be logged. For the Display Level, all logged events above or equal to the selected level will be displayed. If the selected mode is "Remote" or "Both", events will be sent to the specified IP address and UDP port of the remote syslog server. If the selected mode is "Local" or "Both", events will be recorded in the local memory.

Select the desired values and click "Apply" to configure the system log options.

Note: This will not work correctly if modem time is not properly set! Please set it in "Setup/Time and Date"

SYSTEM LOG -- CONFIGURATION

<input type="checkbox"/>	Enable Log
Log Level :	<input type="text" value="Debugging"/>
Display Level :	<input type="text" value="Error"/>
Mode :	<input type="text" value="Local"/>
Server IP Address :	<input type="text"/>
Server UDP Port :	<input type="text"/>

This page displays event log data in a chronological manner. You can read the event log from the local host or send it to a system log server. Available event severity levels are as follows: **Emergency**, **Alert**, **Critical**, **Error**, **Warning**, **Notice**, **Informational** and **Debugging**. In this page, you can enable or disable the system log function.

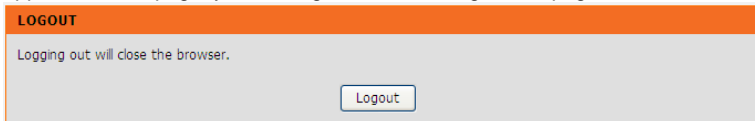
The procedure for logging the events is as follows:

- Step 1** Select **Enable Log** check box.
- Step 2** Select the display mode from the **Mode** drop-down list.
- Step 3** Enter the **Server IP Address** and **Server UDP Port** if the **Mode** is set to **Both** or **Remote**.
- Step 4** Click **Apply** to apply the settings.
- Step 5** Click **View System Log** to view detailed information from the system log.



4.4.6 Logout

Choose **MAINTENANCE** > **Logout**. The page shown in the following figure appears. In this page, you can log out of the configuration page.



4.5 Status

You can view the system information and monitor performance.

4.5.1 Device Info

Choose **STATUS** > **Device Info**. The page shown in the following figure appears.



DSL-2750U	SETUP	ADVANCED	MAINTENANCE	STATUS																		
Device Info	DEVICE INFO																					
Wireless Clients	This information reflects the current status of your DSL connection.																					
DHCP Clients	SYSTEM INFO																					
Logs	<table border="1"> <tr> <td>Model Name:</td> <td>DSL-2750U</td> </tr> <tr> <td>Time and Date:</td> <td>Mon Jul 18 00:17:49 2011</td> </tr> <tr> <td>Firmware Version:</td> <td>AF_1.59_T10</td> </tr> </table>				Model Name:	DSL-2750U	Time and Date:	Mon Jul 18 00:17:49 2011	Firmware Version:	AF_1.59_T10												
Model Name:	DSL-2750U																					
Time and Date:	Mon Jul 18 00:17:49 2011																					
Firmware Version:	AF_1.59_T10																					
Statistics	INTERNET INFO																					
Route Info	Internet Connection: <input type="text" value="pppoe_0_8_35_1"/>																					
Logout	<table border="1"> <tr> <td>Internet Connection Status:</td> <td>Unconfigured</td> </tr> <tr> <td>Default Gateway:</td> <td></td> </tr> <tr> <td>Preferred DNS Server:</td> <td>0.0.0.0</td> </tr> <tr> <td>Alternate DNS Server:</td> <td>0.0.0.0</td> </tr> <tr> <td>Connection Up Time:</td> <td>0 day,0 hour,0 min,0 sec</td> </tr> <tr> <td>Downstream Line Rate (Kbps):</td> <td>0</td> </tr> <tr> <td>Upstream Line Rate (Kbps):</td> <td>0</td> </tr> </table>				Internet Connection Status:	Unconfigured	Default Gateway:		Preferred DNS Server:	0.0.0.0	Alternate DNS Server:	0.0.0.0	Connection Up Time:	0 day,0 hour,0 min,0 sec	Downstream Line Rate (Kbps):	0	Upstream Line Rate (Kbps):	0				
Internet Connection Status:	Unconfigured																					
Default Gateway:																						
Preferred DNS Server:	0.0.0.0																					
Alternate DNS Server:	0.0.0.0																					
Connection Up Time:	0 day,0 hour,0 min,0 sec																					
Downstream Line Rate (Kbps):	0																					
Upstream Line Rate (Kbps):	0																					
	<table border="1"> <thead> <tr> <th colspan="6">Enabled WAN Connections:</th> </tr> <tr> <th>VPI/VCI</th> <th>Service Name</th> <th>Protocol</th> <th>IGMP</th> <th>QoS</th> <th>IPv4 Address</th> </tr> </thead> <tbody> <tr> <td>8/35</td> <td>pppoe_0_8_35_1</td> <td>PPPoE</td> <td>Disabled</td> <td>Enable</td> <td>0.0.0.0</td> </tr> </tbody> </table>				Enabled WAN Connections:						VPI/VCI	Service Name	Protocol	IGMP	QoS	IPv4 Address	8/35	pppoe_0_8_35_1	PPPoE	Disabled	Enable	0.0.0.0
Enabled WAN Connections:																						
VPI/VCI	Service Name	Protocol	IGMP	QoS	IPv4 Address																	
8/35	pppoe_0_8_35_1	PPPoE	Disabled	Enable	0.0.0.0																	
	WIRELESS INFO																					
	<table border="1"> <tr> <td>MAC Address:</td> <td>02:10:18:01:00:02</td> </tr> <tr> <td>Status:</td> <td>Enabled</td> </tr> <tr> <td>Network Name (SSID):</td> <td>D-Link</td> </tr> <tr> <td>Visibility:</td> <td>Visible</td> </tr> <tr> <td>Security Mode:</td> <td>Auto (WPA or WPA2)</td> </tr> </table>				MAC Address:	02:10:18:01:00:02	Status:	Enabled	Network Name (SSID):	D-Link	Visibility:	Visible	Security Mode:	Auto (WPA or WPA2)								
MAC Address:	02:10:18:01:00:02																					
Status:	Enabled																					
Network Name (SSID):	D-Link																					
Visibility:	Visible																					
Security Mode:	Auto (WPA or WPA2)																					
	LOCAL NETWORK INFO																					
	<table border="1"> <tr> <td>MAC Address:</td> <td>02:10:18:01:00:01</td> </tr> <tr> <td>IP Address:</td> <td>10.0.0.2</td> </tr> <tr> <td>Subnet Mask:</td> <td>255.255.255.0</td> </tr> <tr> <td>DHCP Server:</td> <td>Enabled</td> </tr> </table>				MAC Address:	02:10:18:01:00:01	IP Address:	10.0.0.2	Subnet Mask:	255.255.255.0	DHCP Server:	Enabled										
MAC Address:	02:10:18:01:00:01																					
IP Address:	10.0.0.2																					
Subnet Mask:	255.255.255.0																					
DHCP Server:	Enabled																					
WIRELESS																						

The page displays the summary of the device status, including the system information, Internet information, wireless information and local network information.



4.5.2 Wireless Clients

Choose **STATUS > Wireless Clients**. The page shown in the following figure appears. The page displays authenticated wireless stations and their statuses.

WIRELESS CLIENTS

This page shows authenticated wireless stations and their status.

WIRELESS -- AUTHENTICATED STATIONS

MAC	Associated	Authorized	SSID	Interface
00:26:5A:08:65:0C	0	0	BrcmAP0	wl0

Refresh

4.5.3 DHCP Clients

Choose **STATUS > DHCP Clients**. The page shown in the following page appears.

DHCP CLIENTS

This information reflects the current DHCP client of your modem.

DHCP LEASES

Hostname	MAC Address	IP Address	Expires In
----------	-------------	------------	------------

Refresh

This page displays all client devices that obtain IP addresses from the device. You can view the host name, IP address, MAC address and time expired(s).

4.5.4 Logs

Choose **STATUS > Logs**. The page shown in the following figure appears.

**LOGS**

This page allows you to view system logs.

SYSTEM LOG

Date/Time	Facility	Severity	Message
Jan 1 01:17:22	syslog	emerg	BCM96345 started: BusyBox v1.00 (2010.12.14-11:20+0000)

This page lists the system log. Click **Refresh** to refresh the system log shown in the table.

4.5.5 Statistics

Choose **STATUS > Statistics**. The page shown in the following figure appears.

**STATISTICS**

This information reflects the current status of your DSL connection.

LOCAL NETWORK & WIRELESS

Interface	Received				Transmitted			
	Bytes	Pkts	Errs	Drops	Bytes	Pkts	Errs	Drops
eth0	0	0	0	0	0	0	0	0
eth1	0	0	0	0	0	0	0	0
eth2	0	0	0	0	0	0	0	0
eth3	855469	9293	0	0	11675293	12201	0	0
wl0	0	0	0	0	0	0	1	0

INTERNET

Service	VPI/VCI	Protocol	Received				Transmitted			
			Bytes	Pkts	Errs	Drops	Bytes	Pkts	Errs	Drops
pppoe_0_8_35	8/35	PPPoE	0	0	0	0	0	0	0	0
mobile										

ADSL

Mode:		
Type:		
Status:		Down
	Downstream	Upstream
Line Coding(Trellis):		
SNR Margin (dB):		
Attenuation (dB):		
Output Power (dBm):		
Attainable Rate (Kbps):		
Rate (Kbps):		
D (interleaver depth):		
Delay (msec):		
HEC Errors:		
OCD Errors:		
LCD Errors:		
Total ES:		

ADSL BER Test

Reset Statistics



This page displays the statistics of the network and data transfer. This information helps technicians to identify if the device is functioning properly. The information does not affect the function of the device.

4.5.6 Route info

Choose **STATUS > Route Info**. The page shown in the following figure appears.

ROUTE INFO

Flags: U - up, I - reject, G - gateway, H - host, R - reinstate
D - dynamic (redirect), M - modified (redirect).

DEVICE INFO -- ROUTE

Destination	Gateway	Subnet Mask	Flags	Metric	Service	Interface
10.0.0.0	0.0.0.0	255.255.255.0	U	0		br0

The table shows a list of destination routes commonly accessed by the network.

4.5.7 Logout

Choose **STATUS > Logout**. The page shown in the following figure appears. In this page, you can log out of the configuration page.

LOGOUT

Logging out will close the browser.



5 FAQs

Question	Answer
Why are all the indicators off?	<ul style="list-style-type: none"> ● Check the connection between the power adapter and the power socket. ● Check whether the power switch is turned on.
Why is the LAN indicator not on?	<p>Check the following:</p> <ul style="list-style-type: none"> ● The connection between the device and the PC, the hub, or the switch. ● The running status of the computer, hub, or switch. ● The cables that connects the device and other devices: <ul style="list-style-type: none"> – If the device connects to a computer, use the cross over cable. – If the device connects to a hub or a switch, use the straight-through cable.
Why is the DSL indicator not on?	Check the connection between the DSL interface of the device and the socket.
Why does the Internet access fail when the DSL indicator is on?	<p>Ensure that the following information is entered correctly:</p> <ul style="list-style-type: none"> ● User name and password
Why does the web configuration page of the device fail to be accessed?	<p>Choose start > Run from the desktop. Enter Ping 10.0.0.2 (the default IP address of the device) in the DOS window.</p> <p>If the web configuration page still cannot be accessed, check the following configuration:</p> <ul style="list-style-type: none"> ● The type of the network cable ● The connection between the device and the computer ● The TCP/IP properties of the network card of the computer
How to restore the default configuration	Keep the device powered on and press the RESET button for 1 second. Then, the device automatically



Question	Answer
after incorrect configuration?	reboots and is restored to the factory default configuration. The default configuration of the device is as follows: <ul style="list-style-type: none">● IP address: 10.0.0.2● Subnet mask: 255.255.255.0.● User name and password: admin/admin

6 Support

ADSL Support:

Telephone: 10210

Operating Hours: Mon – Fri / 06h00 – 21h00,

Weekends/ 06h00 – 20h00

Router Support:

Website: www.d-link.co.za/DSL-2750U-TK

The Router and Power Supply/Lightning Protection Units are not themselves guaranteed against lightning or power surges.