

Product Highlights

Long Range Power over Ethernet

Exceed the physical limit of traditional PoE connections by extending a PoE Ethernet link over a distance of up to 500 meters using multiple units

Plug and Play

Full plug and play installation, and does not require an external power supply while simultaneously maintaining full-rate network throughput

High-Performance PoE

Power up to two remote PoE-compliant products requiring a Gigabit connection with IEEE 802.3af and 802.3at PoE in areas over long distances



DPE-302GE

2-Port Gigabit PoE Extender

Features

Simplicity

- Plug and play with no software required
- Multiple mounting options for flexible placement
- Provides power over existing network cabling to remote PoE-capable devices
- Lightweight and compact
- One PoE input port to dual PoE output ports
- Three arrow LEDs to indicate the direction of the power and data flow

Gigabit Connectivity

- Deliver PoE power over 10/100/1000 Mbps connections up to 500 meters (1,640 ft)¹
- Connect and power Gigabit devices
- Auto-negotiation on Ethernet ports
- Full-rate network throughput

Reliability

- Compliant with IEEE 802.3af (PoE) and IEEE 802.3at (PoE+)
- Compatible with all standard PoE devices
- Regulates power output to avoid damaging the connected device
- Withstands operating temperatures of up to 60 °C (140 °F)

The DPE-302GE 2-Port Gigabit PoE Extender allows a Gigabit Power over Ethernet connection to be extended up to 500 m¹. It is designed to transmit data and supply up to 30 W of power to PoE-capable devices such as PTZ IP cameras or 802.11ac wireless access points, using PoE power source equipment (PSE). With several mounting options, the DPE-302GE allows PoE devices to be deployed virtually anywhere over longer distances, eliminating the need for a nearby power outlet and attached power supply.

Powers More Devices Over Longer Distances

The DPE-302GE offers a plug and play PoE solution, capable of transmitting up to 10 to 30 W of output power for up to two devices over a maximum distance of 500 m by daisy-chaining up to 4 units. With support for IEEE 802.3af/at PoE (+) and Gigabit speeds, the DPE-302GE is designed to be deployed in situations with high bandwidth requirements. Furthermore, the DPE-302GE can also be used in combination with the DPE-301GS PoE Splitter to also power non-PoE devices over long distances.

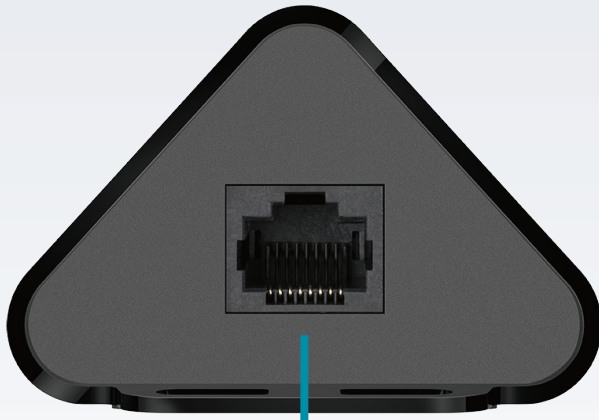
Flexible Deployment

The DPE-302GE is powered by only a very small fraction of PoE power, and when combined with three mounting methods (built-in magnet, screw anchors, and Velcro) and a smart triangular prism design, the DPE-302GE can be deployed virtually anywhere. This PoE solution frees network devices from the restrictions of power availability by removing the need for a local power source. The DPE-302GE is also capable of operating in temperatures of up to 60 °C (140 °F), offering up additional installation options.

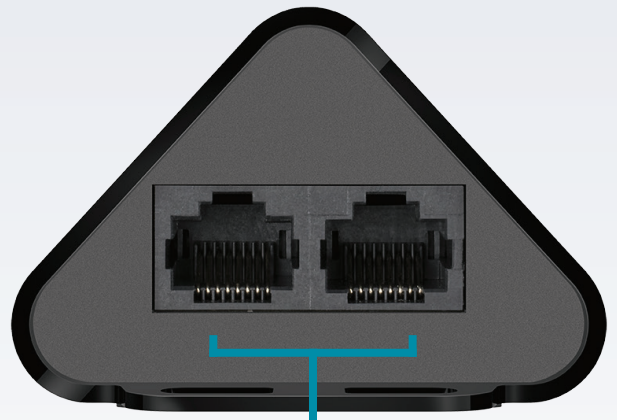
Reliable Connectivity

The DPE-302GE 2-Port Gigabit PoE Extender intelligently communicates the maximum available current with a Powered Device (PD). This protection feature keeps the device safe from damage by preventing it from powering on in case there is not enough current. This safety feature can also automatically disable the port in the event of an electrical short circuit.

DPE-302GE Interface Ports



PoE and Gigabit data input port

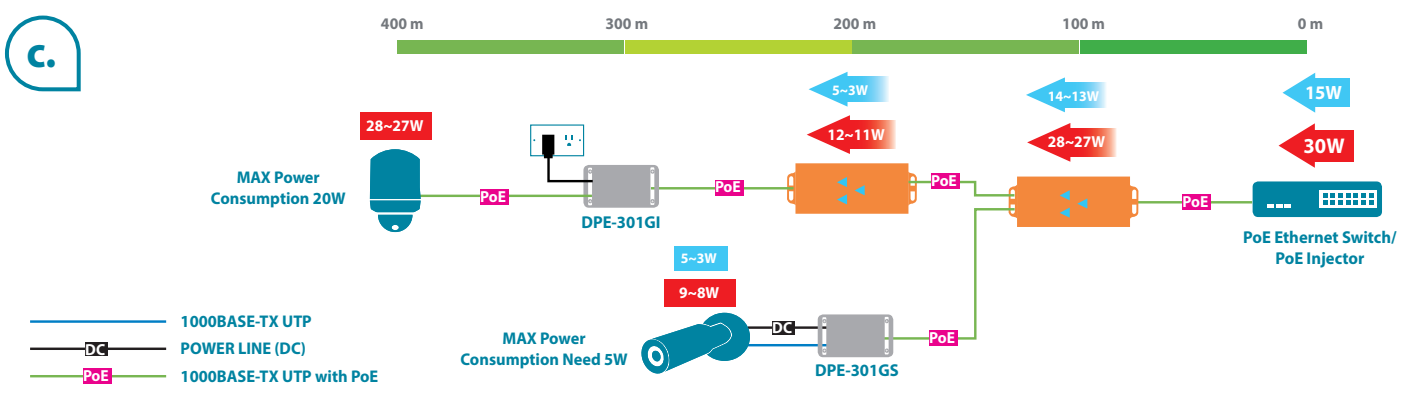
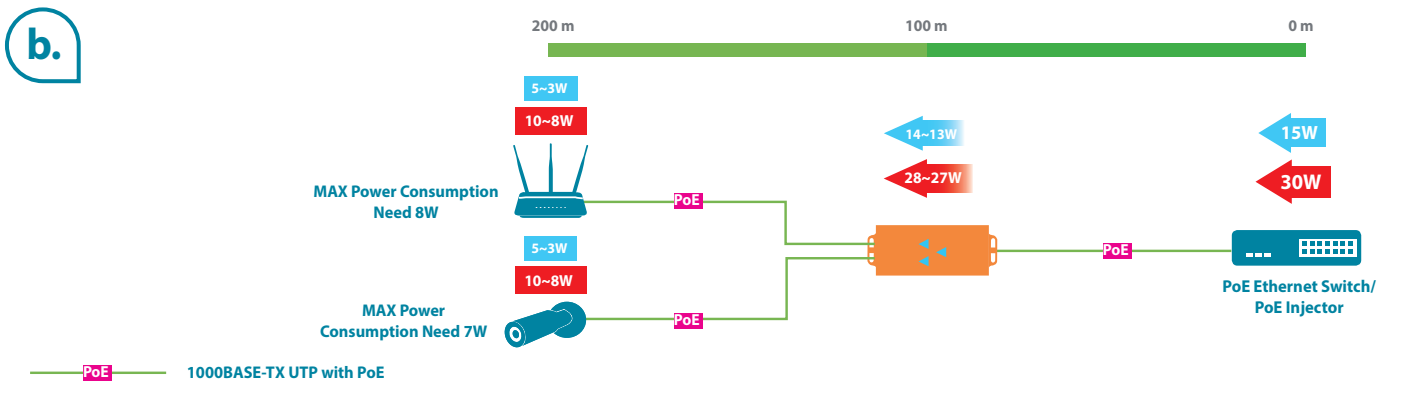
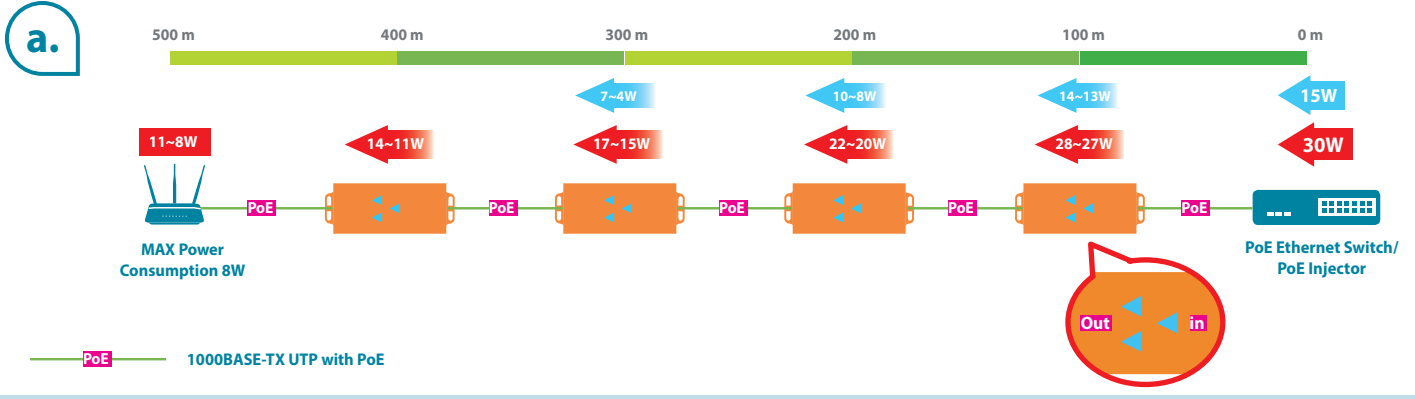


PoE and Gigabit data output ports

DPE-302GE LED Indicators



Data activity LED indicators



*Loss of PoE power occurs over longer distances due to cable resistances. The actual power output will vary based on the quality of the used Ethernet cables and environmental factors.

DPE-302GE 2-Port Gigabit PoE Extender

Technical Specifications

Ports		
PoE + Data Ports (IN)	• 1 x 10/100/1000BASE-T RJ-45 port	• Supports half/full-duplex
PoE + Data Ports (OUT)	• 2 x 10/100/1000BASE-T RJ-45 ports	• Supports half/full-duplex
Standards	• IEEE 802.3 • IEEE 802.3u • IEEE 802.3ab	• IEEE 802.3af • IEEE 802.3at • IEEE 802.3x Flow Control
Physical		
Indicator LEDs (Per Unit)	• 1 x PoE In • 2 x PoE Out	• Solid blue: PoE connected • Blinking blue: PoE budget overload
Dimensions (L x W x H)	• 155 x 60 x 40 mm (5.91 x 2.36 x 1.57 in)	
Weight	• 154 g (5.43 oz)	
Power Input	• Power over Ethernet	
Power Consumption	• Standby: 1.45 W	• Maximum: 4.71 W
Temperature	• Operating: -10 to 60 °C (14 to 140 °F)	• Storage: -40 to 85 °C (-40 to 185 °F)
Humidity	• Operating: 10% to 95% non-condensing	• Storage: 5% to 95% non-condensing
Certifications	• CE • FCC	• LVD/CE • IC
Order Information		
<i>Part Number</i>	<i>Description</i>	
DPE-302GE	2-Port Gigabit PoE Extender	

¹ Maximum distance as per IEEE 802.3u specifications. Distances exceeding 100 m can be reached by linking additional DPE-302GE units.

Updated 2018/01/05