

HIGH PERFORMANCE
FASTER
READ/WRITE SPEEDS
GIGABIT CONNECTIVITY



ShareCenter™

4-BAY SHARECENTER DUO

EFFORTLESS INSTALLATION

Insert up to four internal 3.5-inch SATA hard drives without the need for additional tools or cables

REDUNDANT DISK TECHNOLOGY

Protect important files by making backups and maintaining redundancy through selectable RAID 1 or RAID 5 technology

MULTI-FUNCTION USB PORT

Connects to printer for print sharing or UPS for monitoring



THE SPEED OF ISCSI COMBINED WITH THE CONVENIENCE OF NAS

The D-Link 4-Bay ShareCenter Duo (DNS-346) combines NAS and iSCSI technology in a single unit. This hybrid system allows for separate dedicated NAS and iSCSI volumes. High transfer rates are attainable via the iSCSI interface in addition to NAS features such as FTP access. On a conventional iSCSI-only device, such NAS features are not possible, since iSCSI does not use file-based storage. The 4-Bay ShareCenter Duo iSCSI/NAS hybrid provides you with the best of both worlds.

PROTECTION, PERFORMANCE AND RELIABILITY

Five different hard drive modes (Standard, JBOD, RAID 0, RAID 1, RAID 5) allow you to choose the configuration best suited to your needs. Standard mode creates four separately accessible hard drives. JBOD combines the drives together in linear fashion for maximum space efficiency. RAID 0 combines the drives in a "striped" configuration, and is the choice offering the highest performance. RAID 1 causes the drives to mirror each other, providing maximum protection. If one drive fails while configured as RAID 1, the unaffected drive continues to function as a single drive until the failed drive is replaced. The new drive will then be remirrored, allowing the 4-Bay ShareCenter Duo to return to its previous state. RAID 5 allocates data across three or more drives and combines storage efficiency with reliable file protection.

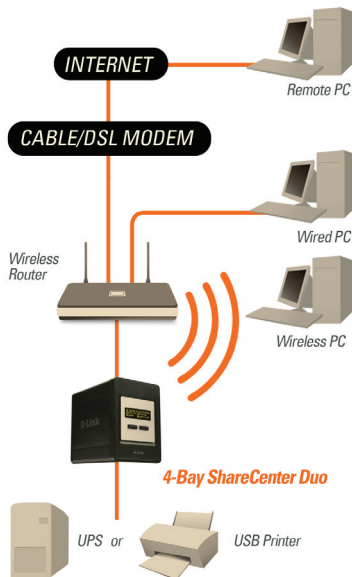
WHAT THIS PRODUCT DOES

The D-Link 4-Bay ShareCenter Duo (DNS-346) with internal SATA drives enables you to share your documents, music, photos and videos across the network and on the internet using hybrid NAS/iSCSI functionality. This enclosure allows you to create a central network point for backing up valuable files and protects these files from drive failure using selectable RAID 1/ RAID 5 technology.

POWERFUL SOFTWARE

The included CD contains D-Link's Easy Search Utility. This utility allows you to easily locate the 4-Bay ShareCenter Duo anywhere on the network. Once it is located, use the utility to map the hard drive(s) so they will appear in My Computer on your PC. Backup software is also included on the CD, which allows you to back up valuable files from a computer to the 4-Bay ShareCenter Duo manually, according to a schedule or in real-time. Real-time backups are a great way to safeguard against unfortunate accidents that can result in data loss.

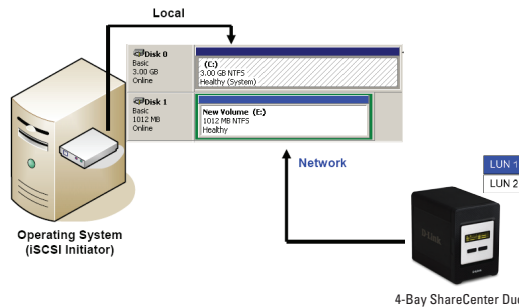
YOUR NETWORK SETUP



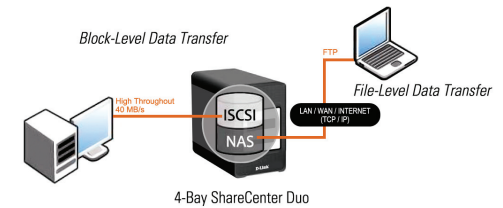
HIGH-SPEED DATA TRANSFERS WITH ISCSI

In addition to conventional NAS features, the 4-Bay ShareCenter Duo offers the option for block-level data transfer through the use of the iSCSI protocol. On average, iSCSI data transfer rates are two to three times faster than NAS transfer rates. Once a hard drive is partitioned and formatted for iSCSI, it can be directly mapped from the client operating system. Additional partitions on the 4-Bay ShareCenter Duo can be reserved for traditional NAS functions.

4-BAY SHARECENTER DUO WITH AN ISCSI PARTITION



4-BAY SHARECENTER DUO WITH BOTH ISCSI & NAS PARTITIONS



TECHNICAL SPECIFICATIONS

NETWORKING

- IEEE 802.3
- IEEE 802.3ab
- IEEE 802.3u
- TCP/IP
- CIFS/SMB
- iSCSI
- DHCP Server/Client
- DDNS
- NTP
- FTP
- HTTP/HTTPS
- Jumbo Frames
- USB 2.0
- SNMP
- Remote replication
- Volume snapshot
- NFS (Network File System)
- VLAN Tag
- Active Directory support

SUPPORTED HARD DISK

- SATA - Any capacity
- 3.5" Internal

PORTS

- 1 10/100/1000 Gigabit Ethernet Port
- 1 USB Port
- Power

DRIVE MANAGEMENT

- Multiple Hard Drive Configurations: RAID 0/1/10/5/5+spare, JBOD, Standard
- SMART/Scandisk
- User/Folder Quota management

DEVICE MANAGEMENT

- Internet Explorer v6 or any modern Java-enabled browser
- Easy Search Utility
- UPS Monitoring
- E-Mail Alerts
- Power Management
- File Sharing
- Max. User Accounts: 64 users
- Max. Groups: 10 groups
- Max. Shared Folders: 32
- Max. Concurrent Connections: 64 (Samba) / 10 (FTP)

MULTI-LANGUAGE FILE NAME SUPPORT

- Samba: Unicode
- FTP Client: Croatian, Cyrillic (Kyrgyz Republic), Czech, Danish, Dutch, English, Finnish, French, German, Greek, Hungarian, Italian, Japanese, Korean, Norwegian, Polish, Portuguese, Romanian, Russian, Simplified Chinese, Slovenian, Spanish, Swedish, Traditional Chinese, Turkish

POWER SUPPLY

- External Power Supply
- DC 19 V/4.74 A Switching

POWER CONSUMPTION

- Standard mode: 45.33 W
- Sleep mode: 26.42 W

TEMPERATURE

- Operating: 0° - 55°C (32° - 131°F)
- Storage: -20° - 70°C (-4° - 158°F)

OPERATING HUMIDITY

- 5% ~ 90% (Non-condensing)

DIMENSIONS (W x D x H)

- Item: 128 x 200 x 178 mm (5" x 7.9" x 7")
- Packaging: 270 x 320 x 260 mm (10.6" x 12.6" x 10.2")

WEIGHT

- Item: 2.7 kg (6.0 lbs)
- Packaging: 4.5 kg (10.0 lbs)

CERTIFICATIONS

- CE
- C-Tick
- FCC



D-Link Corporation
No. 289 Xinhu 3rd Road, Neihu, Taipei 114, Taiwan
Specifications are subject to change without notice.
D-Link is a registered trademark of D-Link Corporation and its overseas subsidiaries.
All other trademarks belong to their respective owners.
©2010 D-Link Corporation. All rights reserved.
Release 02 (March 2010)