



DNR-F5104LB/DNR-F5108LB

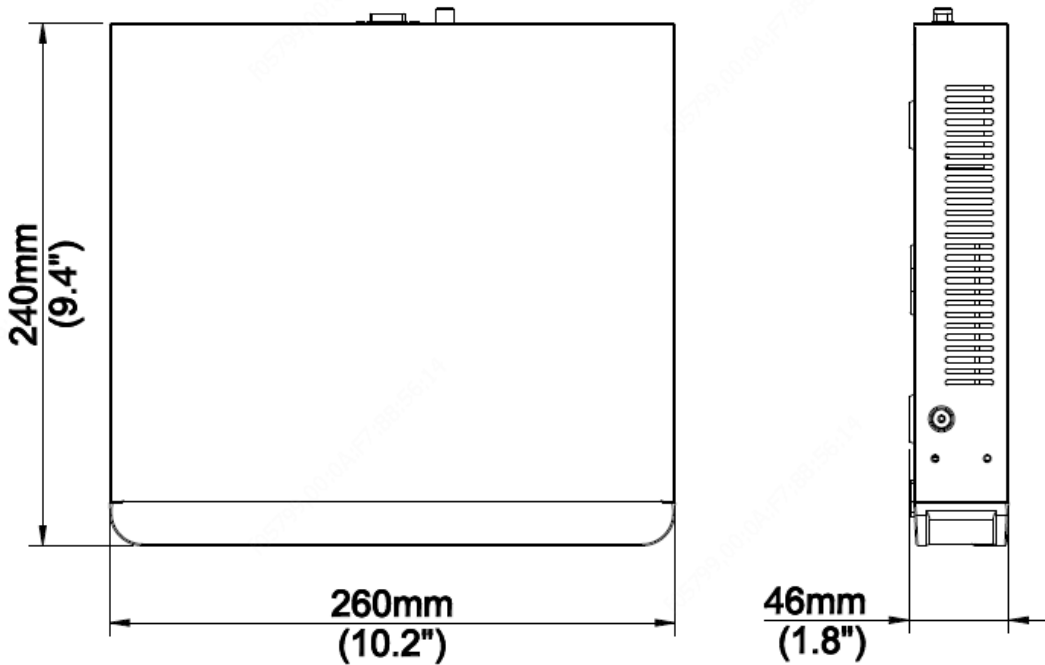
4/8 Channel Network Video Recorder

Key Features

- Support Ultra 265/H.265/H.264 video formats
- 4/8-channel input
- Third-party IP cameras supported with ONVIF conformance: Profile S, Profile G, Profile T
- Support 1-ch HDMI, 1-ch VGA
- HDMI and VGA simultaneous output
- Up to 6MP resolution recording
- 1 SATA HDD up to 6 TB
- Support cloud upgrade

Video /Audio Input		
IP Video Input	4-ch	8-ch
Network		
Incoming bandwidth	40Mbps	50Mbps
Outgoing bandwidth	40Mbps	40Mbps
Remote Users	128	
Protocols	P2P, UPnP, NTP, DHCP, PPPoE	
Video /Audio Output		
HDMI/VGA Output	HDMI: 1920x1080p/60Hz, 1920x1080p/50Hz, 1600x1200/60Hz, 1280x1024/60Hz, 1280x720/60Hz, 1024x768/60Hz VGA: 1920x1080p/60Hz, 1920x1080p/50Hz, 1600x1200/60Hz, 1280x1024/60Hz, 1280x720/60Hz, 1024x768/60Hz	
Audio Output	1-ch, RCA	
Recording Resolution	6MP/5MP/4MP/3MP/1080p/960p/720p/D1/2CIF/CIF	
Synchronous Playback	4-ch	8-ch
Corridor Mode Screen	3/4	3/4/5/7/9
Decoding		
Decoding format	Ultra 265/H.265/H.264	
Live view/Playback	6MP/5MP/4MP/3MP/1080p/960p/720p/D1/2CIF/CIF	
Capability	1 x 6MP@20, 1 x 5MP@30, 2 x 4MP@25, 2 x 3MP@30, 4 x 1080p@25, 8 x 960p@25, 8 x 720p@30	
Hard Disk		
SATA	1 SATA interface	
Capacity	up to 6TB for each disk	
Smart		
VCA Detection	Face detection, Intrusion detection, Cross line detection, Audio detection	
External Interface		
Network Interface	1 RJ45 10M/100M self-adaptive Ethernet Interface	
USB Interface	Rear panel: 2 x USB2.0	
General		
Power Supply	12V DC Power Consumption: ≤9 W (without HDD)	
Working Environment	-10°C ~ + 55°C (+14°F ~ +131°F), Humidity ≤ 90% RH (non-condensing)	
Dimensions (W×D×H)	260mm × 240mm × 46mm (10.2"×9.4"×1.8")	
Weight (without HDD)	1kg (2.20 lb)	

Dimensions



Rear Panel

