



DIS-300G Series Managed Industrial Gigabit Ethernet Switch

Quick Installation Guide

Overview

The Managed Ethernet Switch solutions are designed for supporting standard industrial applications. Managed switches are easier to prioritize, partition, and organize user's network, providing a more reliable and better quality services.

Package Checklist

Please verify the box contains the following items:

Item	Quantity
Management Ethernet switch	1
Wall-mount plates	2
DIN-Rail CLIP	1
M3 Screws (for the wall mount plates & DIN CLIP)	4
DC power terminal block	1
RJ45 Ethernet port Dust Cover	Some
SFP Ethernet port Dust cover	Same as SFP port number

Safety Instructions

When a fiber connection is removed during installation, testing, servicing or an active fiber is broken, ocular exposure to optical energy may be potentially hazardous, depending on the laser output power.

The primary hazards of exposing laser radiation from an optical-fiber communication systems are:

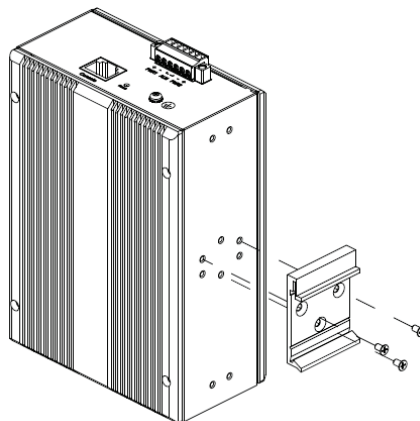
- Damage to eyes from accidental exposure to a beam emitted by a laser source.
- Damage to eyes from viewing the connector that attaches to a broken fiber or an energized fiber.

If the equipment is used in a manner not specified by the manufacturer, the protection provided by the equipment may be impaired.

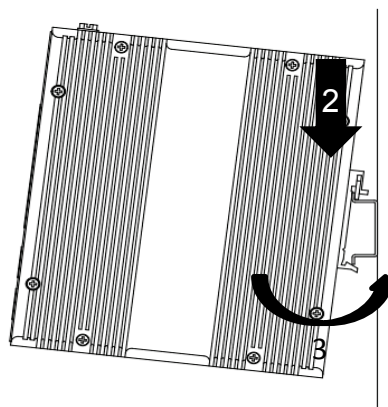
DIN-Rail Mounting

Mounting steps:

1. Screw the din-clip with screws in the accessory kit.

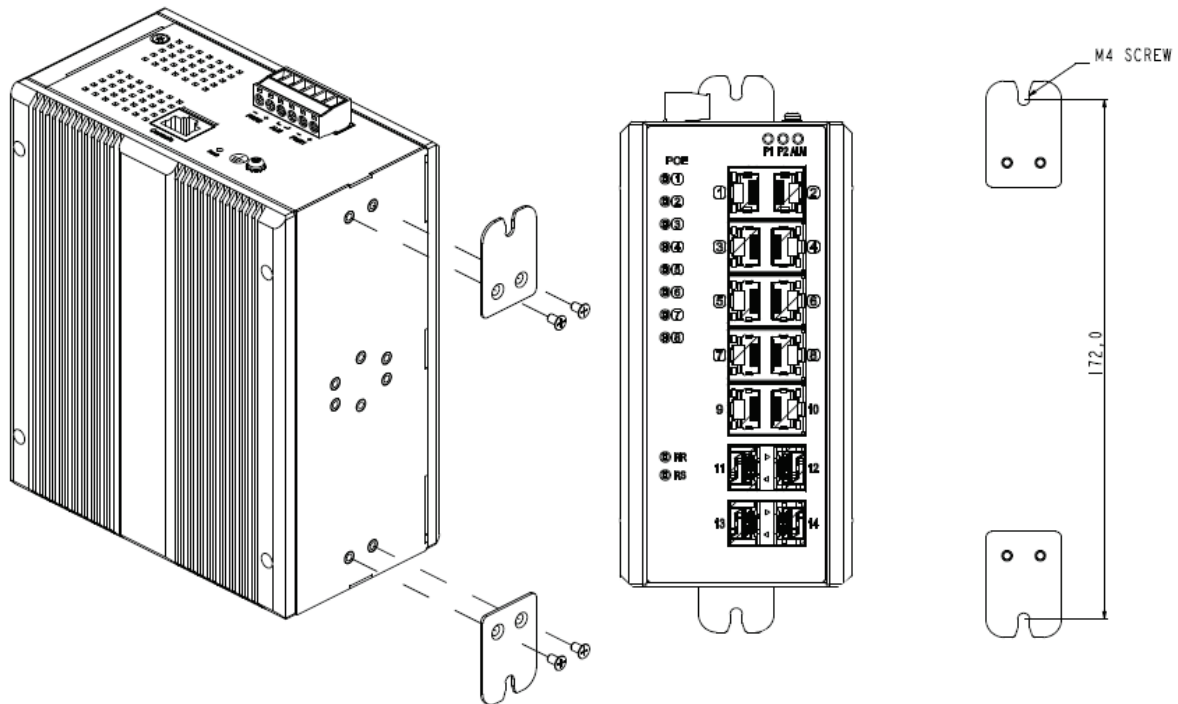


2. Hook the unit onto the din-rail.
3. Push the bottom of the unit towards the din-rail until it locks in place.



Mounting steps:

1. Screw the wall-mount brackets with screws in the accessory kit.



< This graph is for all DIS-300G series >

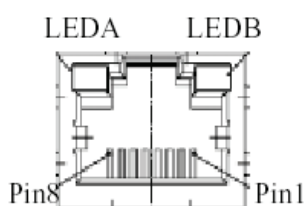
Ethernet Interface (RJ45 Ethernet)

The switch provides two types of Ethernet interfaces: electrical (RJ45) and optical (SFP) interfaces.

Connecting the Ethernet interface via RJ45:

- To connect the switch to a PC, use straight-through or cross-over Ethernet cables,
- To connect the switch to an Ethernet device, use UTP (Unshielded Twisted Pair) or STP (Shielded Twisted Pair) Ethernet cables.

The pin assignment of RJ-45 connector is shown in the following figure and table.



Pin	Assignment	PoE Assignment (for DIS-300G-8PSW/DIS-300G-14PSW only)
1,2	T/Rx+,T/Rx-	Positive VPort
3,6	T/Rx+,T/Rx-	Negative VPort
4,5	T/Rx+,T/Rx-	X
7,8	T/Rx+,T/Rx-	X

For both 100/1000 Mbps fiber speed connections, the SFP slots are available. The SFP slot accepts the fiber transceivers that typically have an LC connector.

The fiber transceivers have options of multimode, single mode, long-haul or special-application transceivers.



DANGER:

Never attempt to view optical connectors that might be emitting laser energy.

Do not power up the laser product without connecting the laser to the optical fiber and putting the dust cover in position, as laser outputs will emit infrared laser light at this point.

Connecting Power Terminal Block

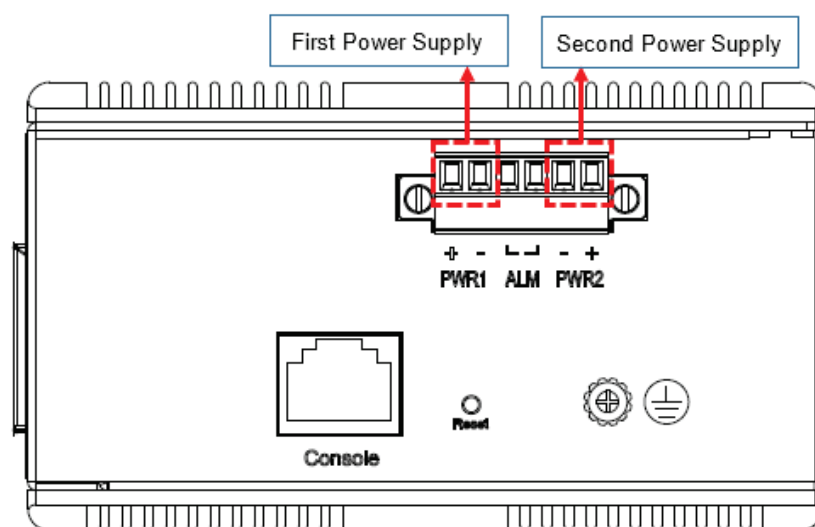
The switch can be powered from two power supplies (input range 12V – 58V). Insert the positive and negative wires into V+ and V- contacts on the terminal block respectively and tighten the wire-clamp screws to prevent the wires from being loosened.



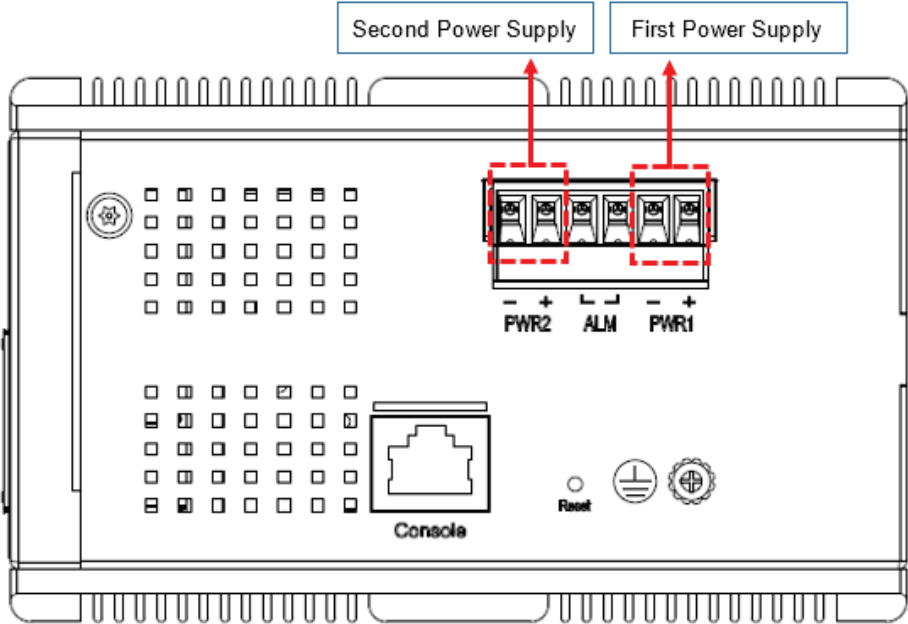
Note:

The DC power should be connected to a well-fused power supply.

DIS-300G-10SW/DIS-300G-12SW



DIS-300G-8PSW/DIS-300G-14PSW

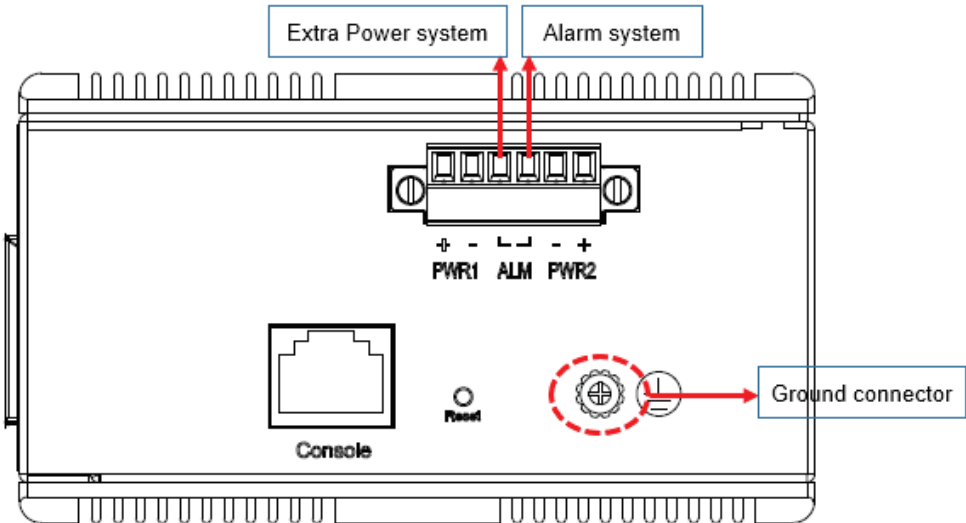


Alarm Relay and Ground

The alarm relay output contacts are in the middle of the DC terminal block connector as shown in the figure below.

The alarm relay out is “Normal Open”, and it will be closed when detected any predefined failure such as power failures or Ethernet link failures.

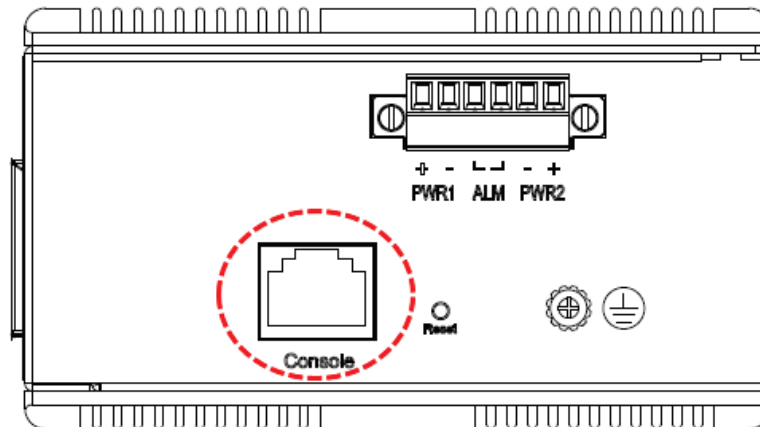
The relay output with current carrying capacity of 0.5A @ 24 VDC



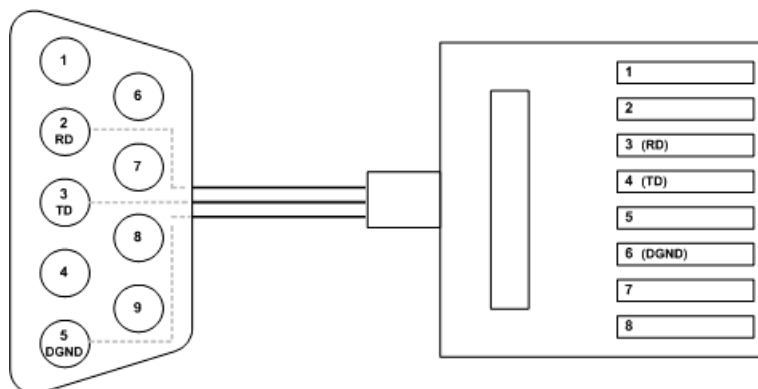
Console Connection

The Console port is for local management by using a terminal emulator or a computer with terminal emulation software.

- DB9 connector connect to computer COM port
- Baud rate: 115200bps
- 8 data bits, 1 stop bit
- None Priority
- None flow control



To connect the host PC to the console port, a RJ45 (male) connector-to-RS232 DB9 (female) connector cable is required. The RJ45 connector of the cable is connected to the CID port of the switch; the DB9 connector of the cable is connected to the PC COM port. The pin assignment of the console cable is shown below:



NOTE: When connecting to console port, please use the designate console cable attached in the package.

Connect & Login to Managed Switch

1. Connecting to the Ethernet port (RJ45 Ethernet port) of Managed Switch.
2. **Factory default IP: 10.90.90.90**
3. Login with default account and password.

Username: admin
Password: admin

CLI Initialization & Configuration

1. Connecting to the Ethernet port(RJ45 Ethernet port) of Managed Switch
2. Key-in the command under Telnet: **telnet 10.90.90.90**
3. Login with default account and password.

Username: admin

Password: admin

4. Change the IP with commands listed below: CLI

Command:

```
enable
configure terminal
interface vlan 1
ip address xxx.xxx.xxx.xxx
xxx.xxx.xxx.xxx exit
```

LED STATUS INDICATIONS

LED Name	Indicator /color	Condition
P1/P2	On Green	P1/P2 power line has power
	Off	P1/P2 power line disconnect or does not have power supplied
Alarm	On Red	Ethernet link fails, alarm or power failure alarm occurs
	Off	No Ethernet link fails and no power failure alarm
Copper port Link/Act	On Green	Ethernet link up but no traffic is detected
	Flashing Green	Ethernet link up and there is traffic detected
	Off	Ethernet link down
Copper port Speed	On Yellow	A 1000Mbps connection is detected
	Off	No link, a 10Mbps or 100 Mbps connection is detected
SFP port Link/Act	On Green	Ethernet link up
	Off	Ethernet link down
SFP port Speed	On Yellow	SFP port speed 1000Mbps connection is detected.
	Off	No link or a SFP port speed 100Mbps connection is detected
DIS-300G-8PSW/DIS-300G-14PSW only		
RR (Ring Role)	On Green	One of 3 Ring group is enabled and is Master role.
	Off	Ring is slave role
RS (Ring Status)	On Green	Ring fail happen and detected
	Off	No ring fail detected
PoE	On Yellow	PoE is detected
	Off	No link

Additional Information

You can refer to the user manual or visit <http://support.dlink.com/> for more support.

Online Documentation

www.dlink.com/resources/business



Online Support

If there are any issues that are not in the user manual, please visit <http://support.dlink.com/> which will direct you to your appropriate local D-Link support website.

Warranty Information

Visit <http://warranty.dlink.com/> to view the D-Link Warranty information.

Federal Communication Commission Interference Statement

This equipment has been tested and found to comply with the limits for a Class A digital device, pursuant to part 15 of the FCC Rules. These limits are designed to provide reasonable protection against harmful interference when the equipment is operated in a commercial environment. This equipment generates, uses, and can radiate radio frequency energy and, if not installed and used in accordance with the instruction manual, may cause harmful interference to radio communications. Operation of this equipment in a residential area is likely to cause harmful interference in which case the user will be required to correct the interference at his own expense.

Non-modification Statement

Any changes or modifications not expressly approved by the party responsible for compliance could void the user's authority to operate the equipment.

Caution

This device complies with Part 15 of the FCC Rules. Operation is subject to the following two conditions:

(1) This device may not cause harmful interference, and (2) this device must accept any interference received, including interference that may cause undesired operation.

Innovation, Science and Economic Development Canada (ISED) Statement:

This Class A digital apparatus complies with Canadian ICES-003.

Cet appareil numérique de la classe A est conforme à la norme NMB-003 du Canada.

Japan Voluntary Control Council for Interference Statement

この装置は、クラス A 情報技術装置です。この装置を家庭環境で使用すると電波妨害を引き起こすことがあります。この場合には使用者が適切な対策を講ずるよう要求されることがあります。 VCCI-A

Japan Voluntary Control Council for Interference Statement

This is a Class A product based on the standard of the Voluntary Control Council for Interference (VCCI). If this equipment is used in a domestic environment, radio interference may occur, in which case the user may be required to take corrective actions.

警告使用者:

此為甲類的資訊技術設備，在居住環境中使用時，可能會造成射頻擾動，在這種情況下，使用者會被要求採取某些適當的對策。

Warning:

This is a class A product. In a domestic environment this product may cause radio interference in which case the user may be required to take adequate measures.