

Product Highlights

HD Resolution with Wide Dynamic Range

A high-resolution megapixel sensor provides HD resolution while Wide Dynamic Range technology ensures that you capture the details you need

Color Night Vision

Keep an eye on your home or office around the clock with vibrant color images, even in low light environments

Reliable 24-Hour Surveillance

Infrared 10 meter LED illuminators provide a clear picture at night for dependable 24-hour surveillance



DCS-6115

HD Indoor Fixed Dome Camera with Color Night Vision

Features

Exceptional Video Quality

- 1/3" megapixel progressive CMOS sensor with color night vision capability
- HD resolution of 1280 x 720
- Wide Dynamic Range image enhancement
- H.264, MPEG-4, MJPEG codec support for streaming and recording
- Motion detection
- Privacy mask
- Built-in IR LED illuminator with a 10 meter range for use in dark areas

Flexibility

- microSD card slot for onboard storage
- 10/100 Fast Ethernet port with PoE ensures easy integration into your network
- DI/DO socket for connection to external devices
- Audio in and out jacks can be connected to a microphone and speaker for 2-way communication

The D-Link DCS-6115 HD Indoor Fixed Dome Camera with Color Night Vision is a high definition professional surveillance and security solution suitable for small, medium, and large enterprise environments. The camera uses a high-sensitivity megapixel progressive scan CMOS sensor with onboard WDR image enhancement to deliver truly superior quality video in all conditions. The "push" key design makes it quick and easy to change the memory card and adjust the position of the lens without the need for additional accessories.

High-Quality Color Night Vision

Incorporating a highly sensitive CMOS sensor, the DCS-6115 provides outstanding performance in low light-conditions, resulting in more vibrant color detail regardless of the amount of light available. The noise reduction feature has been upgraded and enhanced as well to provide a level of detail in the image quality that is unmatched by other offerings in the market.

To maximize bandwidth efficiency and improve image quality, the DCS-6115 provides real-time video compression using the H.264, MPEG-4, and MJPEG codecs, and supports three separate profiles for simultaneous video streaming and recording. This versatility enables a wide variety of security applications, such as monitoring public areas to detect incidents and to coordinate responses, enforcing access control to restricted areas, deterring criminal activity, or monitoring inventory.

Continuous Monitoring

The DCS-6115's WDR image enhancement gives you improved image quality in environments with uneven or difficult lighting, so you can identify subjects that are backlit or in brightly lit areas. In low-light situations, the IR cut filter automatically slides out of the way to use all available light. The DCS-6115 also has built-in IR LED illuminators with a 10 meter range, allowing the camera to keep watch even in complete darkness. These features work together to give you a reliable surveillance camera capable of monitoring an area 24 hours a day.

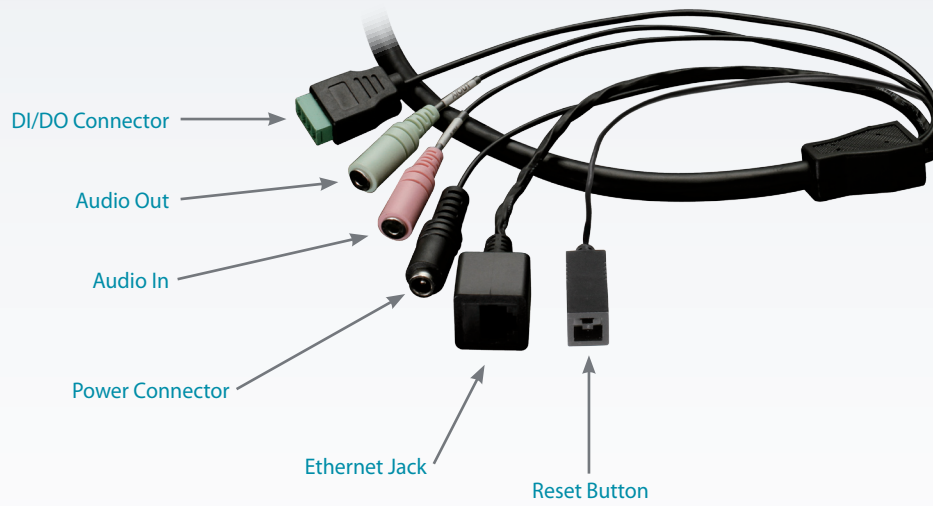
HD Indoor Fixed Dome Camera with Color Night Vision

Robust Management Software

The DCS-6115 HD Indoor Fixed Dome Camera with Color Night Vision includes D-ViewCam, a complete surveillance software package that enables you to view, manage, and record from up to 32 cameras on a single computer in a central location. Recordings and e-mail alerts can be triggered through motion detection or events triggered by digital input devices, keeping administrators informed of any unusual activity.

Flexible Connectivity

The DCS-6115 has a built-in 802.3af compliant PoE module that simplifies installation by providing power and networking connectivity with a single cable, reducing the need to drill holes or lay additional cabling. In addition, the included digital input and output connector enables connections to external devices such as IR sensors, switches and alarm relays.



Technical Specifications

Camera

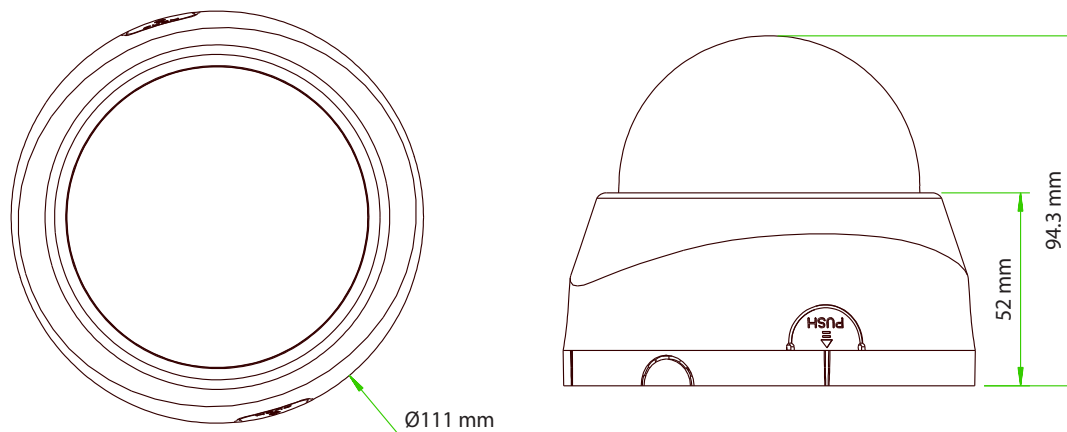
Camera Hardware Profile	<ul style="list-style-type: none"> • 1/3" Megapixel progressive CMOS sensor • 10 meter IR illumination distance • Built-in Infrared-Cut Removable (ICR) filter module • Minimum illumination: <ul style="list-style-type: none"> • Color mode: 0.1 lux • B/W mode: 0.02 lux • B/W mode (IR LED on): 0 lux • Minimum object distance 0.4 m 	<ul style="list-style-type: none"> • Lens focal length: 3.6 mm • Aperture: F1.4 • Angle of view (16:9): <ul style="list-style-type: none"> • (H) 62° • (V) 40° • (D) 92.4°
Image Features	<ul style="list-style-type: none"> • Configurable image size, quality, frame rate, and bit rate • Time stamp and text overlays • Configurable motion detection windows 	<ul style="list-style-type: none"> • Configurable privacy mask zones • Configurable exposure time, brightness, saturation, contrast, sharpness.
Video Compression	<ul style="list-style-type: none"> • Simultaneous H.264/MPEG-4/MJPEG format compression • H.264/MPEG-4 multicast streaming 	<ul style="list-style-type: none"> • JPEG for still images
Video Resolution	<ul style="list-style-type: none"> • 16:9 - 1280 x 720, 800 x 450, 640 x 360, 480 x 270, 320 x 176 at up to 30 fps¹ 	<ul style="list-style-type: none"> • 4:3 - 1024 x 768, 800 x 600, 640 x 480, 480 x 360, 320 x 240 at up to 30 fps¹
Audio Support	<ul style="list-style-type: none"> • AAC 	<ul style="list-style-type: none"> • G.711
External Device Interfaces	<ul style="list-style-type: none"> • 10/100 BASE-TX Ethernet port with PoE (Class 0) • 1 DI / 1 DO • DC12V, 100 mA Output 	<ul style="list-style-type: none"> • micro SD/SDHC/SDXC card Slot, accepts cards up to 64 GB • Audio input / output

HD Indoor Fixed Dome Camera with Color Night Vision

Network		
Network Protocols	<ul style="list-style-type: none"> • IPv6 • IPv4 • TCP/IP • UDP • ICMP • DHCP client • NTP client (D-Link) • DNS client • DDNS client (D-Link) • SMTP client • FTP client 	<ul style="list-style-type: none"> • HTTP / HTTPS • Samba client • PPPoE • UPnP port forwarding • RTP / RTSP / RTCP • IP filtering • QoS • CoS • Multicast • ONVIF compliant • SNMP
Security	<ul style="list-style-type: none"> • Administrator and user group protection • Password authentication 	<ul style="list-style-type: none"> • HTTP and RTSP authentication
System Management		
System Requirements for Web Interface	<ul style="list-style-type: none"> • Browser: Internet Explorer, Firefox, Chrome, Safari 	
Event Management	<ul style="list-style-type: none"> • Motion detection • Event notification and uploading of snapshots/video clips via e-mail or FTP 	<ul style="list-style-type: none"> • Supports multiple SMTP and FTP servers • Multiple event notifications • Multiple recording methods for easy backup
Remote Management	<ul style="list-style-type: none"> • Take snapshots/video clips and save to local hard drive 	<ul style="list-style-type: none"> • Configuration interface accessible via web browser
OS Support	<ul style="list-style-type: none"> • Windows 8/7/Vista/XP/2000 	<ul style="list-style-type: none"> • iPhone/iPad/Android
D-ViewCam™ System Requirements	<ul style="list-style-type: none"> • Operating System: Microsoft Windows 8/7/Vista/XP • Web Browser: Internet Explorer 7 or higher 	<ul style="list-style-type: none"> • Protocol: Standard TCP/IP
D-ViewCam™ Software Functions	<ul style="list-style-type: none"> • Remote management/control of up to 32 cameras • Supports all management functions provided in the web interface 	<ul style="list-style-type: none"> • Viewing of up to 32 cameras on one screen • Scheduled motion triggered, or manual recording options
General		
Weight	<ul style="list-style-type: none"> • 522 +/- 5% grams (1.15 lbs) 	
Power	<ul style="list-style-type: none"> • Input: 100 to 240 V AC, 50/60 Hz 	<ul style="list-style-type: none"> • Output: 12 V DC 1.5 A
Power Consumption	<ul style="list-style-type: none"> • 7.0 +/- 5% watts (PoE Class 0) 	
Temperature	<ul style="list-style-type: none"> • Operating: 0 to 40 °C (32 to 104 °F) 	<ul style="list-style-type: none"> • Storage: -20 to 70 °C (-4 to 158 °F)
Humidity	<ul style="list-style-type: none"> • Operating: 20% to 80% non-condensing 	<ul style="list-style-type: none"> • Storage: 5% to 95% non-condensing
Certifications	<ul style="list-style-type: none"> • CE • CE LVD 	<ul style="list-style-type: none"> • FCC • C-Tick

HD Indoor Fixed Dome Camera with Color Night Vision

Dimensions



Order Information

Part Number	Description
DCS-6115	HD Indoor Fixed Dome Camera with Color Night Vision

¹ Frame rates when streaming video may vary depending on network conditions and method used.

² A microSDHC Class 6 card or above is recommended. Supports card capacities up to 64 GB.

Updated 07/31/2014