



DAY&NIGHT NETWORK CAMERA WITH WDR SENSOR

WIRED PoE ACCESS

Built-in 802.3af compliant Power Over Ethernet (PoE) module, for a simple and more cost effective installation

WIDE DYNAMIC RANGE SENSOR SUPPORT

WDR technology offers high resolution and better performance under different lighting conditions delivering exceptional picture quality

DAY & NIGHT FUNCTIONALITY

Built-in ICR filter provides day/night functionality, adjusting the image from color during the day and in low-light conditions

POWERFUL DAY & NIGHT SURVEILLANCE

The DCS-6111 is a fixed dome type network camera designed to target middle market. It uses the WDR VGA Progressive CMOS technology for better performance under different lighting conditions delivering exceptional picture quality. The Wide Dynamic Range capability achieves high resolution, more detailed images in high contrast lighting conditions (for example, strong backlight) and significantly improves the quality of real-time videos. The DCS-6111 uses D-Link's System-on-Chip (SoC) products to provide high quality video compression in MPEG-4 and Motion JPEG formats. The DCS-6111 also incorporates an auto-iris varifocal lens equipped with IR LEDs that offers more flexibility and enhanced security, thus making it an ideal solution for 24/7 hour surveillance.

WIDE DYNAMIC RANGE (WDR) APPLICATIONS

The Wide Dynamic Range (WDR) function of a camera provides clear images even under back light circumstances where intensity of illumination can vary excessively. DCS-6111 is recommended for extreme high-contrast environments. For example, when placed on the inside of the room, the DCS-6111 will be able to see through the intense sunlight or artificial light coming in. This makes it an ideal solution for security applications.

VARIOUS INSTALLATION METHODS AT DIFFERENT ANGLES

The DCS-6111 has a unique built-in three axis mechanism that can be drop-mounted from the ceiling for an unobtrusive look, or mounted on a wall, all with the same housing design. For optimal detection, the DCS-6111 is recommended for indoor ceiling mounting, to prevent possible damage that maybe caused by a burglar.

WIRED PoE ACCESS

For effective surveillance in and around a building, this camera comes with a built-in 802.3af compliant Power Over Ethernet (PoE) module, which eases the installation process and also gives users the freedom to place the camera anywhere. In addition, the 10/100BASE-TX Ethernet port is also provided for convenient Ethernet connection or broadband internet gateway with router.

SMART & EASY TO USE

The software allows you to view up to 32 cameras on a single computer screen at one central location. Users can set up automated e-mail alerts to be instantly informed of unusual activities. Fixed dome cameras usually uses fixed focus lens, but the DCS-6111 also has a vari-focal lens. Vari-focal lens provides easier installation process because the board lens of dome camera is not like CS/C mount lens, it is not changeable. Drop ceiling bracket is another alternative option for an installation method. In addition, this Network camera supports the Universal Plug-n-Play feature, which allows computers running on Windows 2000/XP/Vista to automatically recognize the camera and adds it to the network. Sign up with one of the free Dynamic DNS services available on the web, to assign a name and domain to the camera (e.g. mycamera.dlinkddns.com). This allows users to remotely access the camera without having to remember the IP address.

WHAT THIS PRODUCT DOES

The DCS-6111 is a fixed dome type network camera equipped with an ultra Wide Dynamic Range (WDR) CMOS sensor for better performance under varied lighting conditions. The camera also includes an Infrared (IR) LED for night vision illumination and Infrared-Cut Removable (ICR) module that enables for 24-hour surveillance. An 802.3af compliant Power over Ethernet (PoE) module is built-in to ease the installation process. The DCS-6111 provides high quality real-time videos in MPEG-4 and JPEG compression. In addition the DCS-6111 supports IPv6 protocol and dual stream output for simultaneous live monitoring and high resolution recording making it an ideal solution for SOHO and SMB surveillance market.

REMOTE MONITORING OPTION

The DCS-6111 features 3G mobile video support¹ enabling you to view a live video feed from your camera on a compatible 3G mobile phone or PDA anywhere in your 3G coverage area. The 3G mobile video support allows you to monitor a remote location without using a computer or an Internet connection. D-ViewCam software is also included to manage up to 32 cameras simultaneously from your computer, send automated e-mail alerts, and record video to your hard drive when motion is detected.



TECHNICAL SPECIFICATIONS

NETWORK PROTOCOL SUPPORT

- + IPv4, IPv6, TCP/IP, RTSP, RTP, RTCP, HTTP, SMTP, FTP, NTP, DNS, DHCP, UPnP, DDNS, PPPoE, IGMP, Samba Client, IP Filtering, 3GPP, LLTD

BUILT-IN NETWORK INTERFACES

- + 10/100BASE-TX Ethernet port, RJ45

VIDEO ALGORITHM SUPPORT

- + JPEG for still images
- + MPEG4/MJPEG dual format compression
- + Simultaneous dual-streaming
- + MPEG-4 streaming over UDP, TCP, or HTTP
- + MPEG-4 multicast streaming
- + MJPEG streaming over HTTP
- + Supports 3GPP mobile surveillance
- + Camera live viewing of up to 10 clients

VIDEO RESOLUTION

- + MPEG-4/MJPEG video resolution up to 640x480 (VGA)
- + Up to 30fps at 176 x 144
- + Up to 30fps at 320 x 240
- + Up to 30fps at 640 x 480

VIDEO FEATURES

- + Adjustable image size, quality and bit rate
- + Time stamp and text overlays
- + 3 configurable motion detection windows
- + 5 configurable privacy masks
- + Flip & mirror
- + Configurable brightness, saturation, contrast
- + Adjustable AGC level, AWB and AES

VIDEO BIT RATE

20K to 4M

AUDIO

- + Compression and bit rate:
 - GSM-AMR speech compression, bit rate: 4.75 kbps ~12.2kbps
 - MPEG-4 AAC audio encoding, bit rate: 16 kbps ~128 kbps
- + Interface: external microphone input, external speaker output
- + Supports two-way audio by SIP protocol
- + Supports hardware and software audio mute

CAMERA SPECIFICATIONS

- + 1/4" WDR VGA CMOS sensor
- + 3.3-12mm vari-focal lens, F1.4-F2.9
- + Built-in IR-cut removable (ICR) filter: Auto/Schedule/Manual Settings
- + Minimum illumination: 1.5 Lux @ F1.4

IR LED

- + 20M illumination distance with 12 LEDs and light sensor

EVENT MANAGEMENT

- + Motion detection by weekly schedule
- + Event notification and upload snapshots/video clips via HTTP, SMTP or FTP
- + Multiple HTTP, SMTP, or FTP server setups
- + Multiple event notification setups
- + Multiple recording methods for easy backup

REMOTE MANAGEMENT

- + Configuration accessible via web browser
- + Take snapshots/video clips and save to local hard drive or NAS via web browser

SECURITY

- + Administrator and user group protected
- + Password authentication
- + HTTP and RTSP digest encryption
- + HTTPS streaming²
- + Remote client access allow/deny list

SURVEILLANCE SOFTWARE FUNCTIONS

- + Remote management/control of up to 32 cameras
- + Viewing of up to 32 cameras on one screen
- + Supports all management functions provided in web interface
- + Scheduled motion triggered, or manual recording options

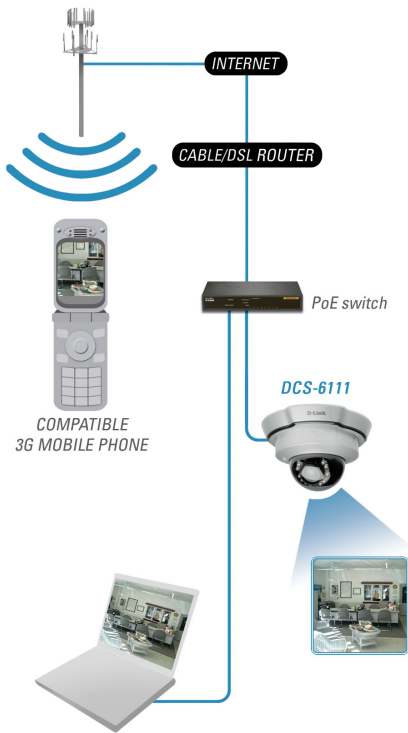
SYSTEM REQUIREMENTS

- + Operating System: Microsoft Windows 2000, XP, Vista
- + Browser: Internet Explorer, Firefox, Netscape, Mozilla, Opera

EXTERNAL DEVICE INTERFACE

- + D/I and D/O for external sensor and alarm

YOUR NETWORK SETUP



NETWORK INTERFACE

- + IEEE 802.3/802.3u 10/100BASE-TX Ethernet port
- + Supports half/full-duplex operations
- + Supports 802.3x Flow Control in full-duplex mode
- + Supports IEEE 802.3af PoE

PHYSICAL & ENVIRONMENTAL

DIAGNOSTIC LED
2 color LED

POWER INPUT

100-240VAC, 50/60Hz, 12VDC, 1.25A

POWER CONSUMPTION

Max 11 watts

DIMENSIONS

194 (W) X 180 (D) X 107 (H) (mm)

WEIGHT

650 grams

SUPPORTED PDA, MOBILE PHONES & SOFTWARE

- Handsets with 3GPP player
- + Packet Video Player 3.0
- + QuickTime 6.5
- + Real Player 10.5
- + Windows 2000, XP

OPERATION TEMPERATURE

0° to 40° C (32° to 104° F)

STORAGE TEMPERATURE

-20° to 70° C (-4° to 158° F)

HUMIDITY

20% to 80% non-condensing

EMISSION (EMI), SAFETY & OTHER CERTIFICATIONS

- + FCC
- + CE
- + C-Tick

¹ The mobile device must have 3G support and subscribe to 3G service from the phone service provider. The playback device must be equipped with 3G video playback such as RealPlayer™ or PacketVideo™.

² HTTPS streaming will reduce the video frame rate automatically.

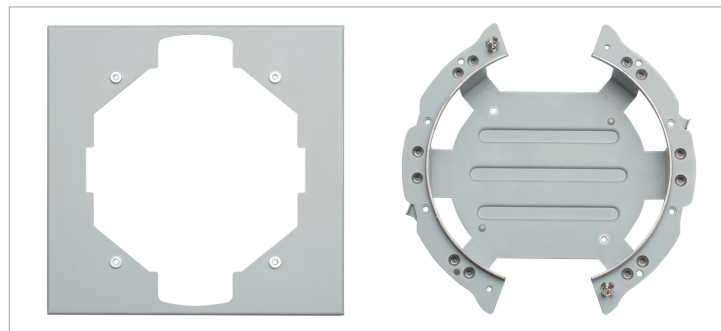
Surface Installation



Drop-ceiling Installation



Drop-ceiling Bracket (optional) DCS-31



D-Link Corporation
No. 289 Xinhu 3rd Road, Neihu, Taipei 114, Taiwan
Specifications are subject to change without notice.
D-Link is a registered trademark of D-Link Corporation and its overseas subsidiaries.
All other trademarks belong to their respective owners.
©2008 D-Link Corporation. All rights reserved.
Release 01 (November 2008)