

## Product Highlights

### AX3000 Wi-Fi 6

Wi-Fi 6 leverages dual-band technology to provide high-speed connectivity for users

### WPA3 Wi-Fi Encryption

WPA3 encryption provides enhanced security for public networks, protecting against unauthorized access and safeguarding sensitive data

### Central Management

Managed through a business router and controlled via a centralized dashboard



## DBR-X3000-AP

# AX3000 Wi-Fi 6 Smart AP

## Key Features

### AX3000 Wi-Fi 6

- 160 MHz channels
- 2.4 GHz up to 574 Mbps
- 5 GHz up to 2402 Mbps

### Latest Wi-Fi Encryption

- WPA/WPA2/WPA3 Personal
- WPA/WPA2/WPA3 Enterprise

### MU-MIMO

- 2.4 GHz: 2T2R
- 5 GHz: 2T3R

### PoE Capability

- 802.3af power input

### Centralized Management

- Managed by DBR-700 or DBR-600-P
- SSID
- Wi-Fi security
- VLAN tagging
- Captive portal (Click-through & RADIUS)
- Firmware upgrades
- Wireless client monitoring
- Mesh enabled

The AX3000 Wi-Fi 6 Smart AP leverages Wi-Fi 6 dual-band technology with PoE support to extend wireless coverage and provide high-speed connectivity throughout a building. It ensures reliable performance, efficient network management, and enhanced security. Centrally managed through D-Link DBR series business routers.

## High-Speed Wi-Fi 6 Connectivity

The latest Wi-Fi 6 technology leverages the power of the 802.11ax standard to deliver faster, more efficient wireless performance, even in high-density environments. With speeds up to 3 Gbps, the DBR-X3000-AP enables lightning-fast downloads, seamless streaming, and responsive real-time applications. Wi-Fi 6 incorporates advanced features like MU-MIMO and OFDMA, which allow multiple devices to connect simultaneously without compromising speed or reliability. This results in a smoother user experience, reduced latency, and increased overall network capacity, making it ideal for both business-critical applications and high-traffic public areas.

## WPA3 Wi-Fi Security

The DBR-X3000-AP is equipped with advanced security features to protect sensitive data and ensure a secure browsing experience for all users. It supports the latest WPA3 encryption protocol, which offers stronger protections against unauthorized access and safeguards user privacy with more robust encryption standard.

## Central Management

The DBR-X3000-AP is managed through a D-Link DBR series business router and controlled via a unified dashboard. This centralized approach streamlines configuration, monitoring, and control of network settings, simplifying administrative tasks. It ensures consistent policy enforcement and offers real-time insights into network activity, enhancing overall efficiency and security.

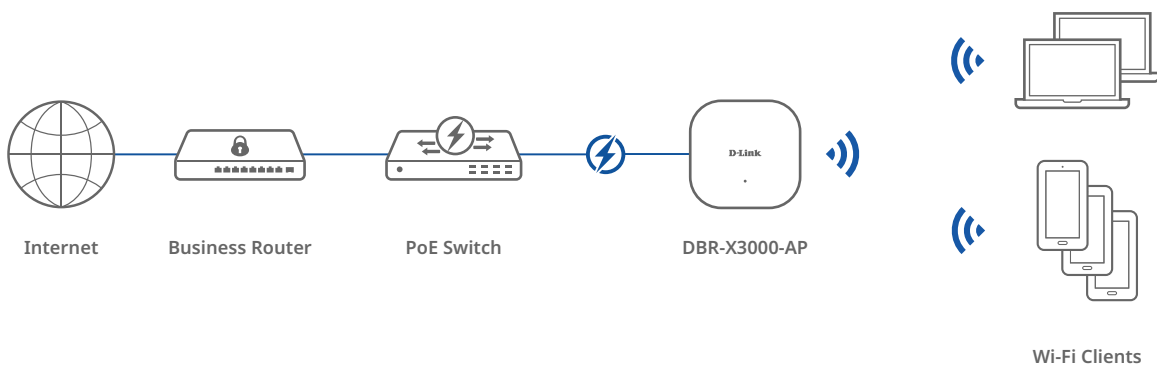
## Power Over Ethernet

The DBR-X3000-AP enables power over Ethernet (PoE), simplifying installation by delivering both data and power over a single Ethernet cable. With PoE compatibility, there's no need for additional power outlets or wiring, making it ideal for flexible and cost-effective deployments in various environments, including office, and retail spaces. This feature not only reduces installation time and costs but also allows for greater flexibility in placing access points where they are needed most, without being limited by traditional power sources. PoE ensures a reliable power supply, maximizing uptime and network stability.

## Captive Portal

Captive portals are used in public Wi-Fi hotspots, guest networks, and enterprise environments to control user access. Users are redirected to a login or terms acceptance page before accessing the network. This process enhances security, enables user management, and can also display important information.

## Connection Diagram



## Technical Specifications

| General               |  |  |
|-----------------------|--|--|
| Interface             | <ul style="list-style-type: none"> <li>• 1 x GE LAN port</li> <li>• 1 x Reset button</li> </ul>          | <ul style="list-style-type: none"> <li>• 1 x Power connector</li> </ul>  |
| LED                   | Power/Status   |  |
| Antenna               | <ul style="list-style-type: none"> <li>• 2 x 2.4/5 GHz dual-band Tx/Rx</li> </ul>                        | <ul style="list-style-type: none"> <li>• 1 x 5 GHz Rx</li> </ul>   |
| Antenna Gain          | <ul style="list-style-type: none"> <li>• 2.4 GHz: 4 dBi</li> </ul>                                       | <ul style="list-style-type: none"> <li>• 5 GHz: 3 dBi</li> </ul>   |
| Data Rate             | <ul style="list-style-type: none"> <li>• 2.4 GHz: Up to 574 MHz</li> </ul>                               | <ul style="list-style-type: none"> <li>• 5 GHz: Up to 2402 MHz</li> </ul>  |
| Functionality         |  |  |
| Standards             | <ul style="list-style-type: none"> <li>• IEEE 802.11a/b/g/n/ac/ax</li> <li>• IEEE 802.3at PoE</li> </ul> | <ul style="list-style-type: none"> <li>• IEEE 802.3u/ab</li> <li>• IEEE 802.3az Energy Efficient Ethernet (EEE)</li> </ul> |
| Operation Frequencies | <ul style="list-style-type: none"> <li>• 2.4 to 2.483 GHz</li> <li>• 5.15 to 5.35 GHz</li> </ul>         | <ul style="list-style-type: none"> <li>• 5.47 to 5.85 GHz</li> </ul>   |
| Wi-Fi Security        | <ul style="list-style-type: none"> <li>• WPA/WPA2/WPA3 Personal</li> </ul>                               | <ul style="list-style-type: none"> <li>• WPA/WPA2/WPA3 Enterprise</li> </ul>   |
| Maximum SSIDs         | 7  |  |

| AP Management            |  |
|--------------------------|--|
| Manageable Devices       | <ul style="list-style-type: none"> <li>• DBR-600-P</li> <li>• DBR-700</li> </ul>                               |
| Wi-Fi SSID               | <ul style="list-style-type: none"> <li>• SSID Name</li> <li>• VLAN Tag</li> </ul>                              |
| Wi-Fi Security           | <ul style="list-style-type: none"> <li>• WPA/WPA2/WPA3 Personal</li> <li>• WPA/WPA2/WPA3 Enterprise</li> </ul> |
| Captive Portal           | <ul style="list-style-type: none"> <li>• Click-through</li> <li>• RADIUS</li> <li>• Local DB</li> </ul>        |
| Monitoring Feature       | <ul style="list-style-type: none"> <li>• Clients IP/MAC</li> <li>• Clients status and statistics</li> </ul>    |
| Device Firmware          | Firmware upgrades  |
| Physical & Environmental |  |
| Power Input              | 12V/1A   |
| Dimensions               | 170 x 170 x 33.7 mm  |
| Operating Temperature    | 0 to 40 °C (32 to 104 °F)  |
| Storage Temperature      | -10 to 70 °C (14 to 158 °F)  |
| Operating Humidity       | 10% to 90% non-condensing  |
| Storage Humidity         | 0% to 95% non-condensing   |
| Order Information        |  |
| DBR-X3000-AP             | AX3000 Wi-Fi 6 Smart AP  |