

Dual Polarization Directional Antenna for 2400 - 2500 MHz

● Package Contents:

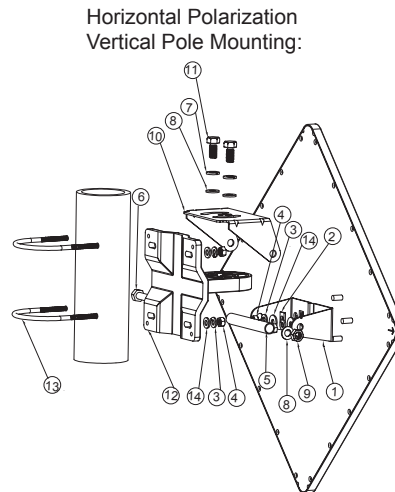
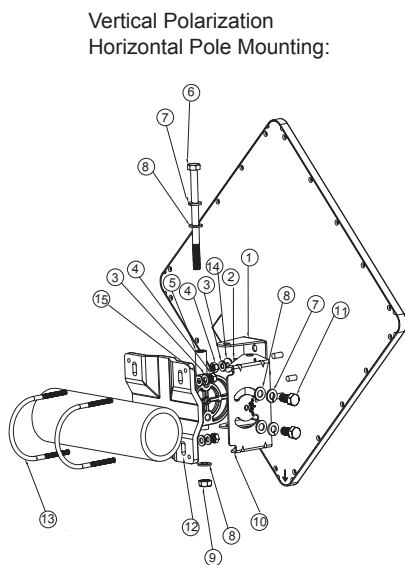
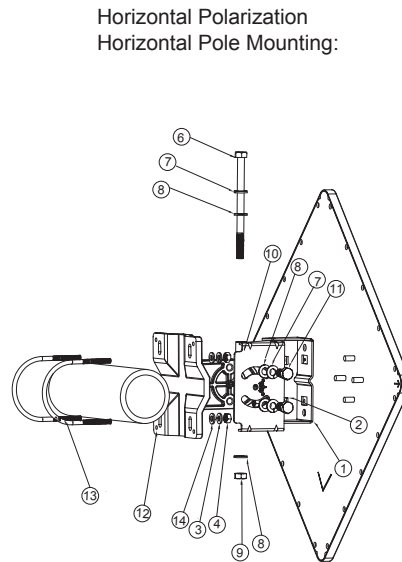
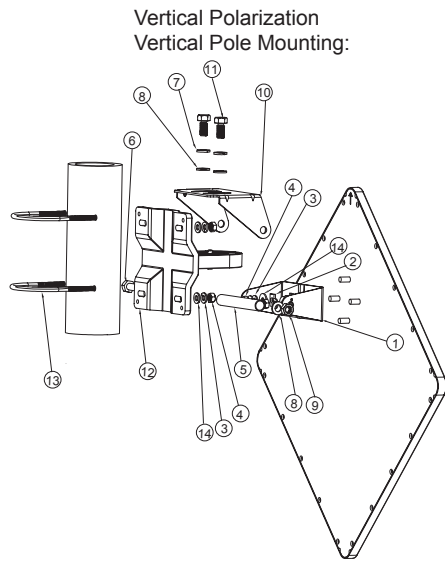
- ANT24-1600N Antenna
- Mounting Kit
- Extension Cable for indoor AP or Router (50cm)*

* The extension cable is for indoor AP or router connection only, for outdoor AP connection the optional extension cable, ANT70-CB1RN or ANT70-CB1N is required.

● Mounting Configuration

- Pole Mount

There are up/down and left/right tilting features for both vertical and horizontal polarization orientations.



- | | |
|-----------------------|------|
| 1. M-Type breaket (L) | 1Pcs |
| 2. Space keeper | 2Pcs |
| 3. Spaing washer | 6Pcs |
| 4. M6-1.0 Nut | 6Pcs |
| 5. Steel tube 93.2 mm | 1Pcs |
| 6. XHM8-1.25*120 | 1Pcs |
| 7. M8 spring washer | 3Pcs |
| 8. M8 washer | 4Pcs |

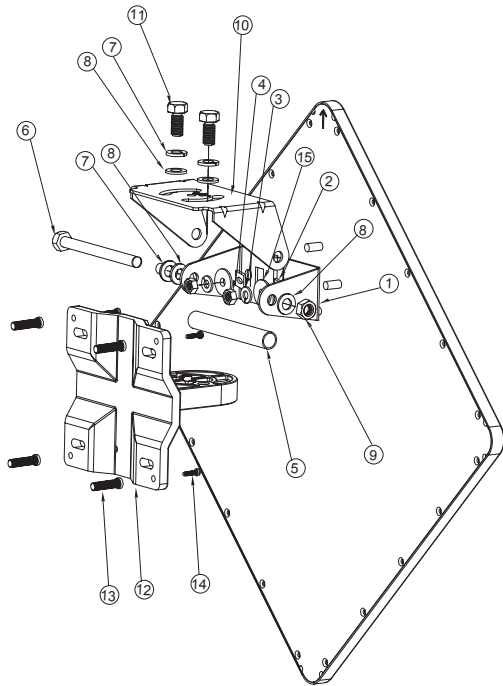
- | | |
|------------------------|------|
| 9. M8 Nut | 1Pcs |
| 10. Rotating bracket | 1Pcs |
| 11. XHM8-1.25*20 | 2Pcs |
| 12. Mounting main fram | 1Pcs |
| 13. U-Type Screw | 2Pcs |
| 14. M6 washer | 6Pcs |

Note:
Mounting pole diameter: 2 ~ 3"

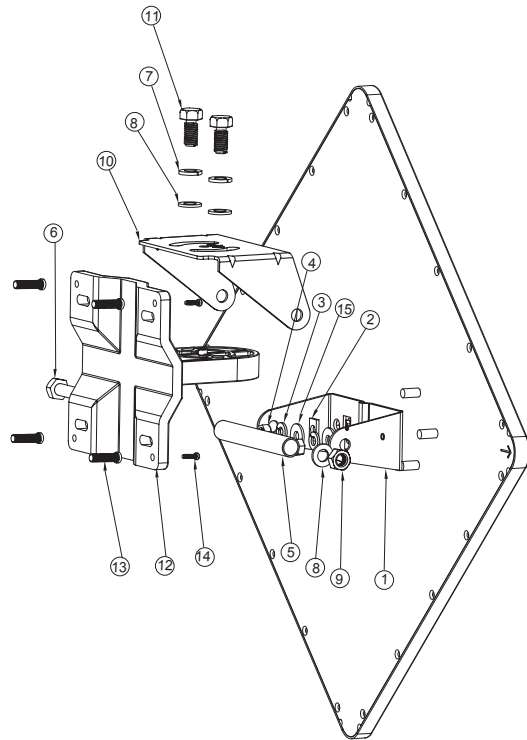
- Wall Mount

There are up/down and left/right tilting features for both vertical and horizontal polarization orientations.

Vertical Polarization
Wall Mounting:



Horizontal Polarization
Wall Mounting:



- | | |
|-----------------------|------|
| 1. M-Type breaket (L) | 1Pcs |
| 2. Space keeper | 2Pcs |
| 3. Spring washer | 6Pcs |
| 4. M6-1.0 NUT | 6Pcs |
| 5. Steel tube 93.5 mm | 1Pcs |
| 6. XHM8-1.25*120 | 1Pcs |
| 7. M8 Spring washer | 3Pcs |
| 8. M8 Washer | 4Pcs |

- | | |
|-------------------------|------|
| 9. M8 Nut | 1Pcs |
| 10. Rotating bracket | 1Pcs |
| 11. XHM8-1.25*20 | 2Pcs |
| 12. Mounting main frame | 1Pcs |
| 13. Wall tiger | 4Pcs |
| 14. TH 5/32-16*1" | 4Pcs |
| 15. M6 Washer | 2Pcs |